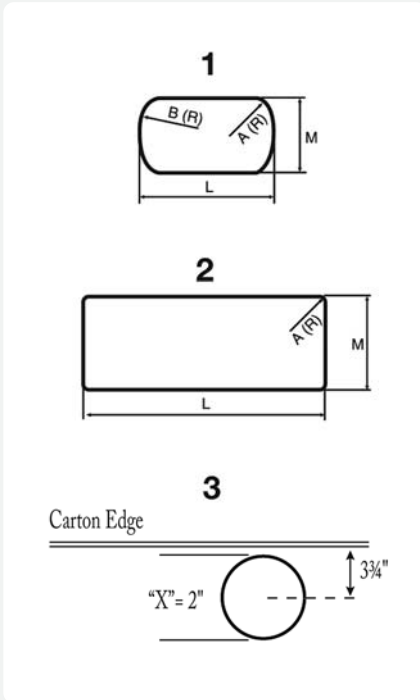


Connecting Clips Die Cut Slots



Product Number	Type	L	M	A	B
HP603	1	62mm	31mm	9mm	25mm
HP460WS	1	46mm	30mm	3mm	60mm
HP601W	1	62mm	40mm	10mm	32mm
HP601WA	1	62mm	40mm	10mm	32mm
HP602W	1	62mm	31mm	9mm	25mm
PP400SS	1	41mm	38mm	3mm	60mm
PP901WP2	2	107mm	44mm	5mm	-
PP909WP2	2	108mm	43mm	-	-
PP400WL	1	41mm	38mm	3mm	60mm
E572.0	3	50mm	50mm	-	-
Star 2000	3	50mm	50mm	-	-