

# Specifications Sheet

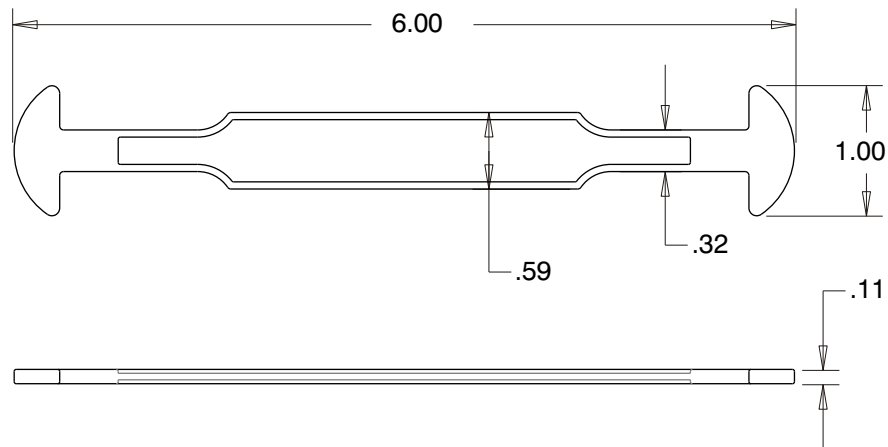
## Product Description

Item Name: Standard Handle  
Item Number: 35595  
Size: 1" x 6"  
Material: Low Density Polyethylene  
Capacity: Up to 15 lbs

## Ordering Information

|          |             |
|----------|-------------|
| 35595-10 | White       |
| 35595-80 | Black       |
| 35595-05 | Translucent |

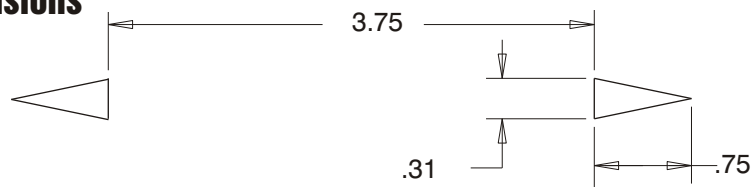
## Product Dimensions



Part Tolerance = +/- .03"

Dimensions are in inches

## Die-cut "G" Dimensions



Dimensions are in inches

## Packaging Information

|                |        |
|----------------|--------|
| Carton Pack:   | 2,500  |
| Carton Weight: | 20 lbs |



Tel: 631.756.0810 Fax: 631.756.0436  
1-800 535-0810 www.allenfield.com  
e-mail: info@allenfield.com