

Part Number
25X50

**Allen Field Company, Inc.**

256A Orinoco Drive  
Brightwaters NY 11718  
(800) 535-0810  
www.allenfield.com

Product Description	
Item Name	Hang Eze 500 Hook
Size	2.00"(W) x 3.50"(H)
Material	PP
Ordering Information	
25X50	Translucent
Packaging Information	
Carton Pack/MOQ	5000 pcs/ctn.
Carton Weight	Contact for Info

**Product Image**

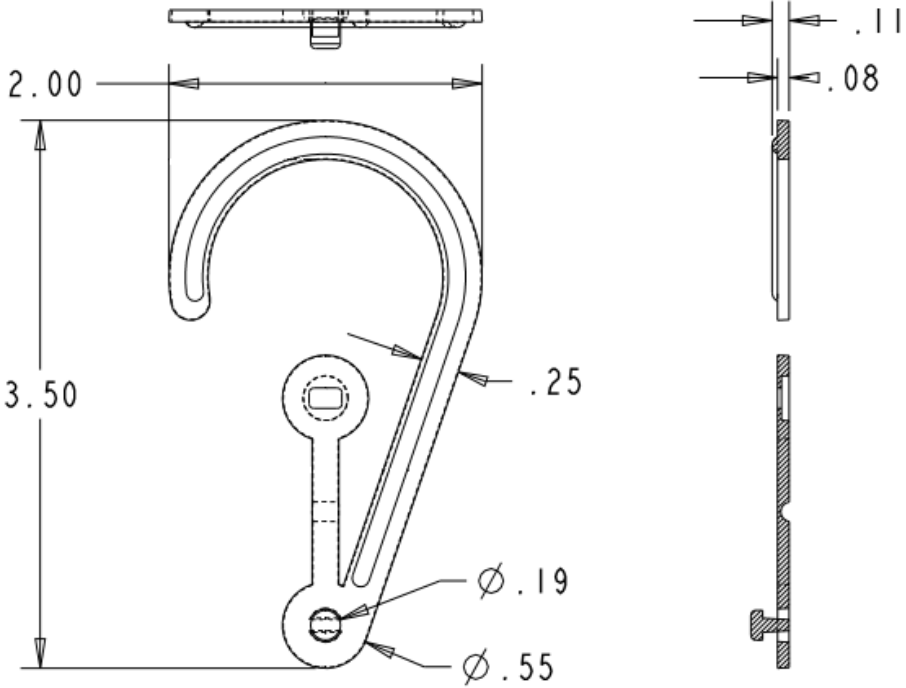


**Related Item**

30250



**Product Dimensions**



Part Tolerance — +/- .03 inches (.75mm)

Dimensions are in inches