

Part Number
30715

Allen Field Company, Inc.

256A Orinoco Drive
 Brightwaters NY 11718
 (800) 535-0810
 www.allenfield.com

Product Image



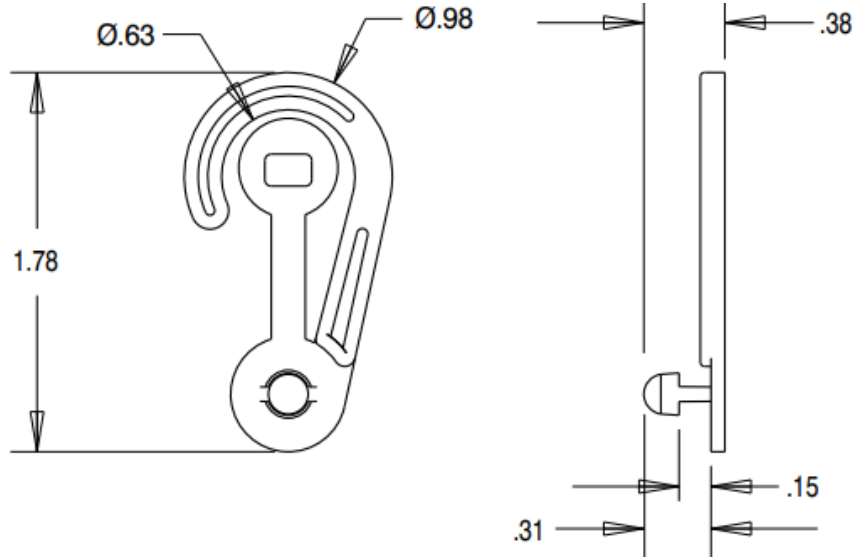
Related Items

30250



Product Description	
Item Name	Hang Eze-200
Size	1.00" (W) x 1.78"(H)
Maximum Board Thickness	0.1"
Material	PP
Ordering Information	
307150540	Translucent
Packaging Information	
Carton Pack/MOQ	5000 pcs/ctn.
Carton Weight	13 lbs.

Product Dimensions



Die-cut Dimensions

