

Part Number
30923

Allen Field Company, Inc.

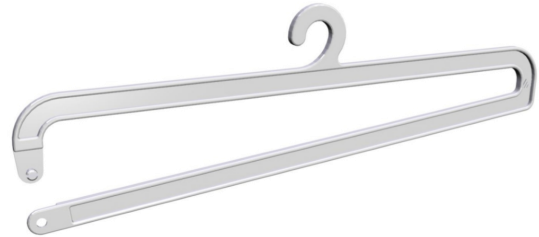
256A Orinoco Drive
Brightwaters NY 11718
(800) 535-0810
www.allenfield.com

Product Image



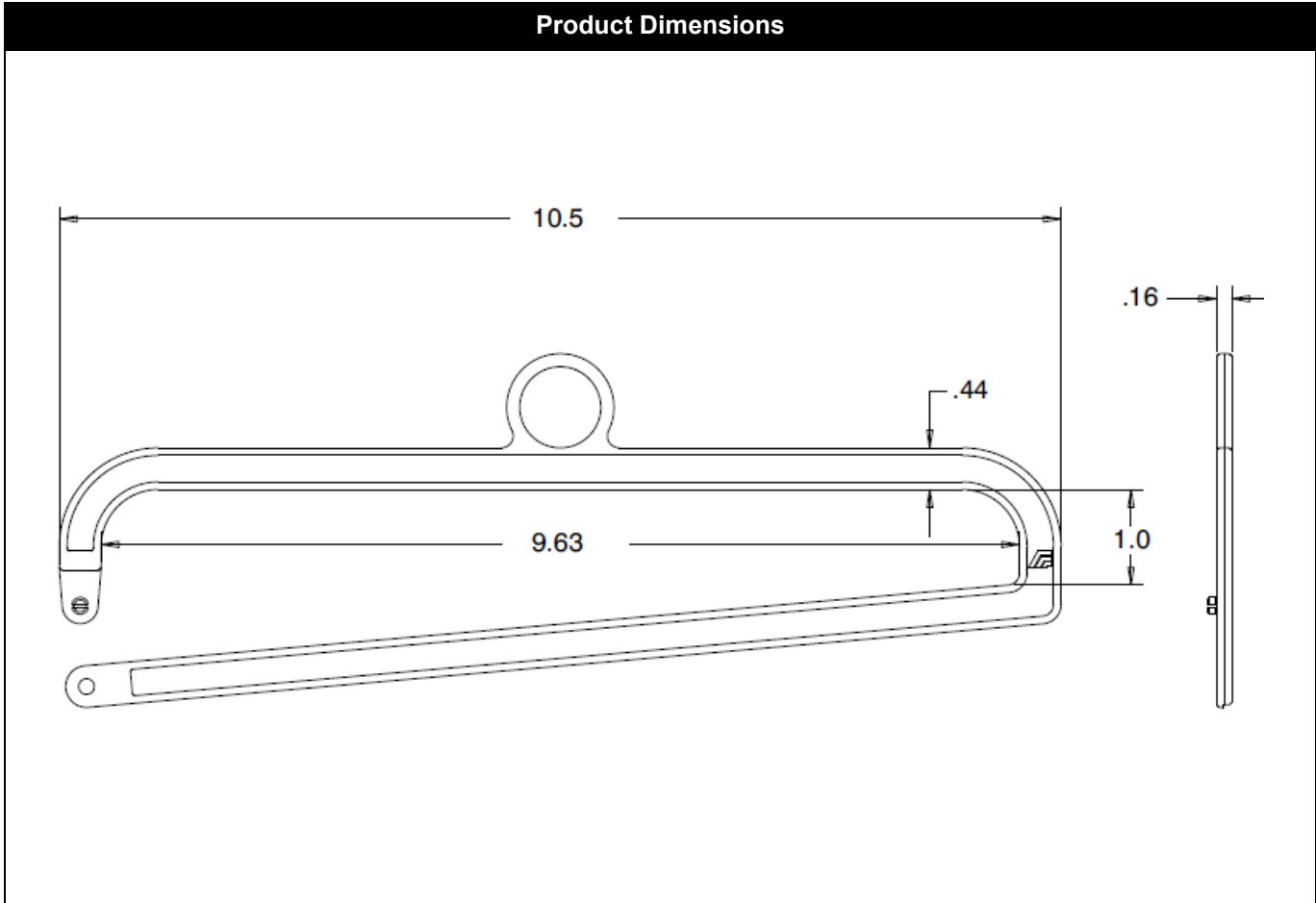
Related Items

30926



Product Description	
Item Name	9.5" Closed Hook Snap Hanger
Size	9.63"(Inner Width) x 1.00"(Inner Height)
Material	PP
Ordering Information	
309230540	Translucent
Packaging Information	
Carton Pack/MOQ	1500 pcs/ctn.
Carton Weight	50.6 lbs.

Product Dimensions



Part Tolerance — +/- .03inches (.75mm)

Dimensions are in Inches