

Part Number
35095

www.allenfield.com  
 (800) 535-0810  
 info@allenfield.com

**Product Image**



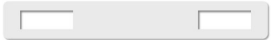
Product Description	
Item Name	9.5" Mid-Elliptical Handle
Size	9.50"(L) x 1.90"(W)
Carrying Capacity	Up to 65 lbs.
Material	PE
Ordering Information	
350950530	Translucent
350951030	White
350958030	Black
Packaging Information	
Carton Pack/MOQ	1200 pcs/ctn.
Carton Weight	27.5 lbs.

**Related Support Plates**

35770

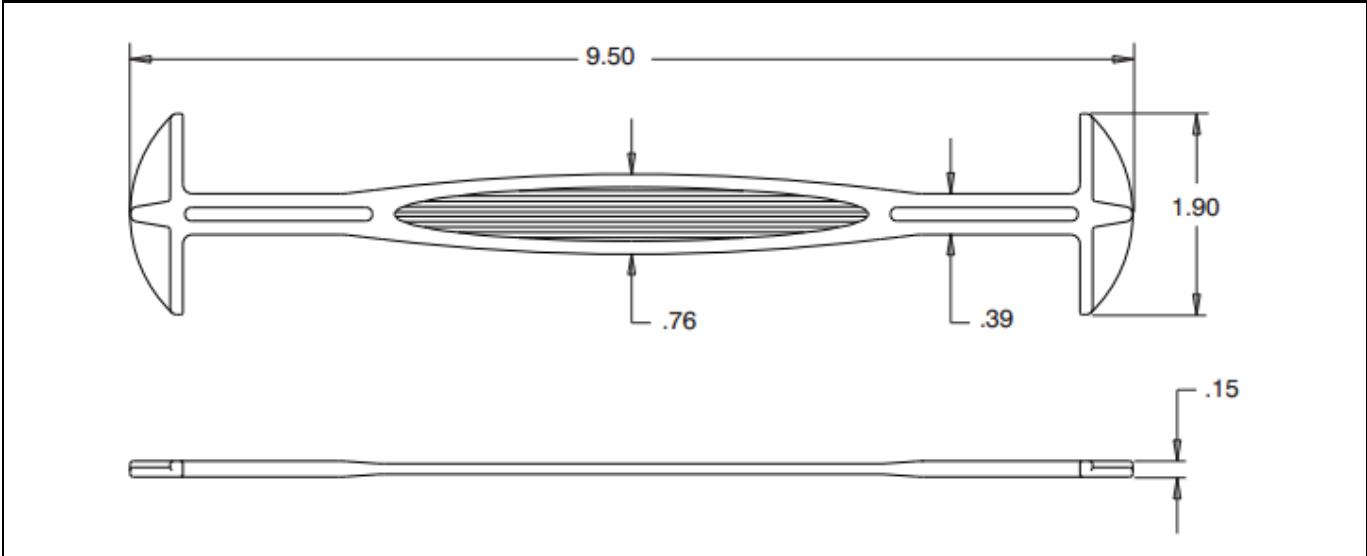


35770VF

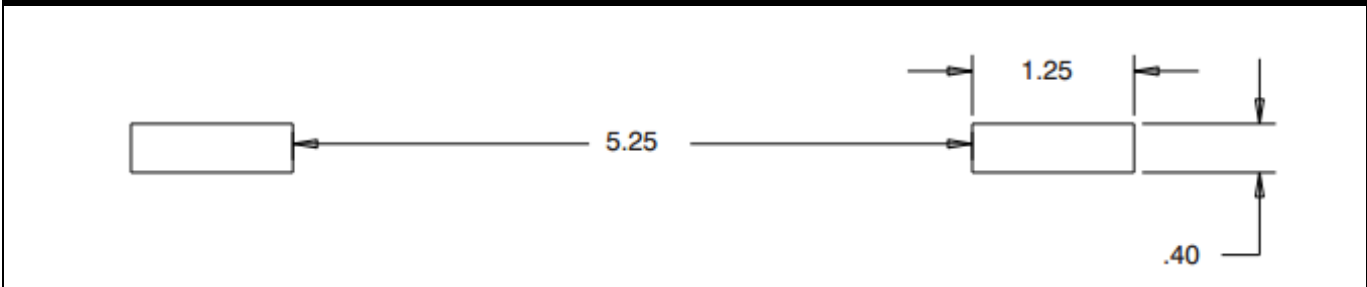


**\* Patent Protected**  
 For more information visit  
<https://www.allenfield.com/patents/>

**Product Dimensions**



**Die-Cut "B" Dimensions**



Part Tolerance — +/- .03 inches (.75 mm)

Dimensions are in inches