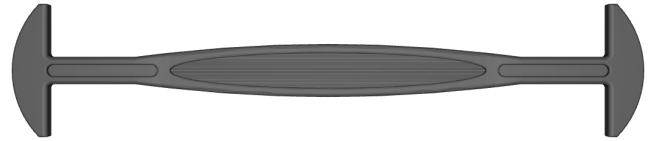


Part Number
35109

www.allenfield.com
 (800) 535-0810
 info@allenfield.com

Product Description	
Item Name	9" Elliptical Handle
Size	9.00"(L) x 1.90"(W)
Carrying Capacity	Up to 100 lbs.
Material	PE
Ordering Information	
351091030	White
351098030	Black
Packaging Information	
Carton Pack/MOQ	1200 pcs/ctn.
Carton Weight	34 lbs.

Product Image

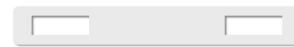


Related Support Plates

35770



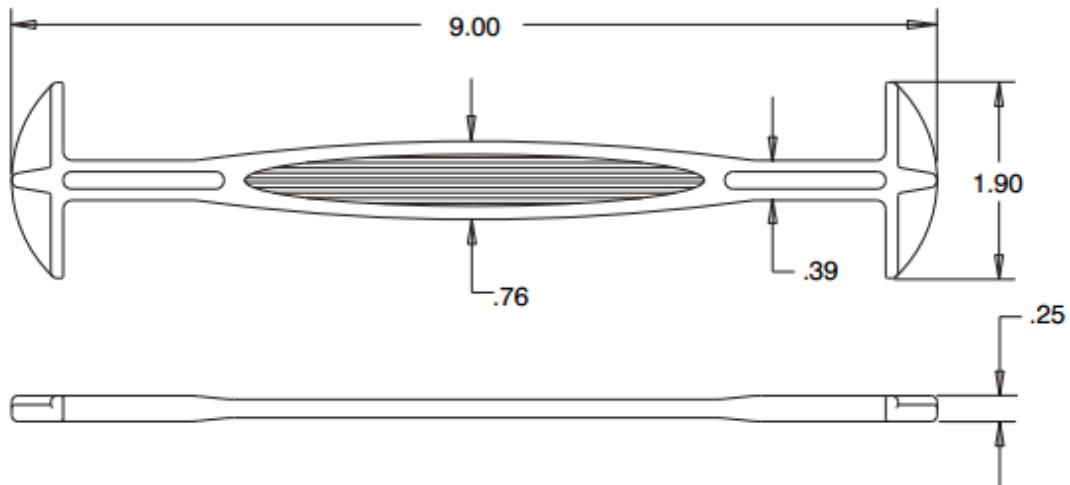
35770VF



*** Patent Protected**

For more information visit
<https://www.allenfield.com/patents/>

Product Dimensions



Die-Cut "B" Dimensions

