

Part Number
35109

Allen Field Company, Inc.

256A Orinoco Drive
Brightwaters NY 11718
(800) 535-0810
www.allenfield.com

Product Description	
Item Name	9" Elliptical Handle
Size	9.00"(L) x 1.90"(W)
Carrying Capacity	Up to 100 lbs.
Material	PE
Ordering Information	
351091030	White
351098030	Black
Packaging Information	
Carton Pack/MOQ	1200 pcs/ctn.
Carton Weight	34 lbs.

Product Image

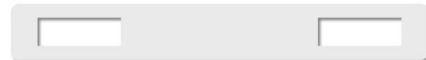


Related Support Plates

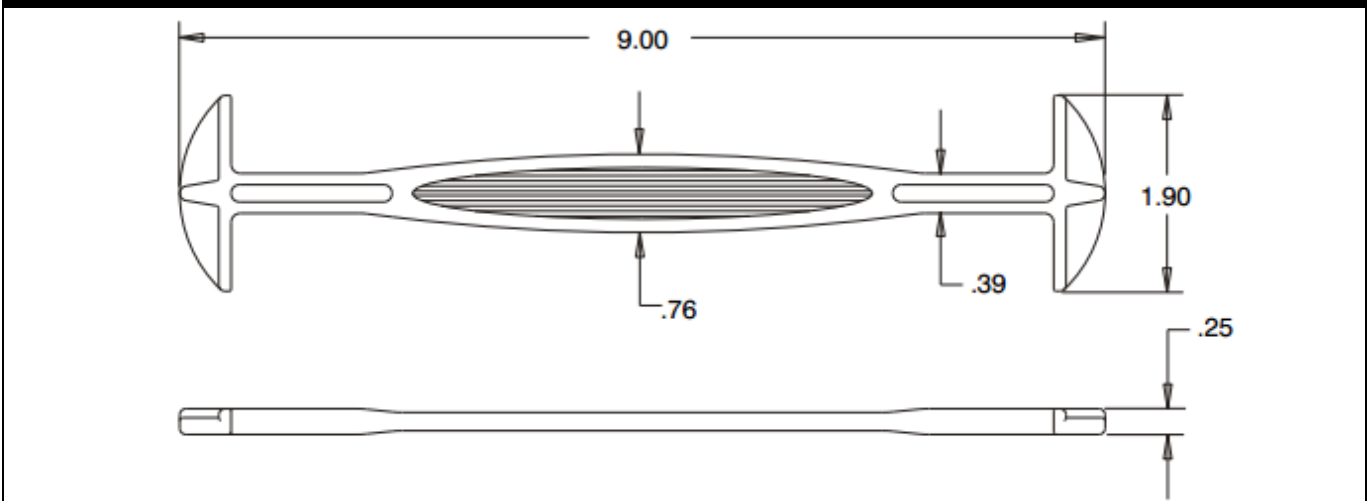
35770



35770VF



Product Dimensions



Die-Cut "B" Dimensions

