

Part Number
35210

**Allen Field Company, Inc.**

256A Orinoco Drive  
Brightwaters NY 11718  
(800) 535-0810  
www.allenfield.com

**Product Image**



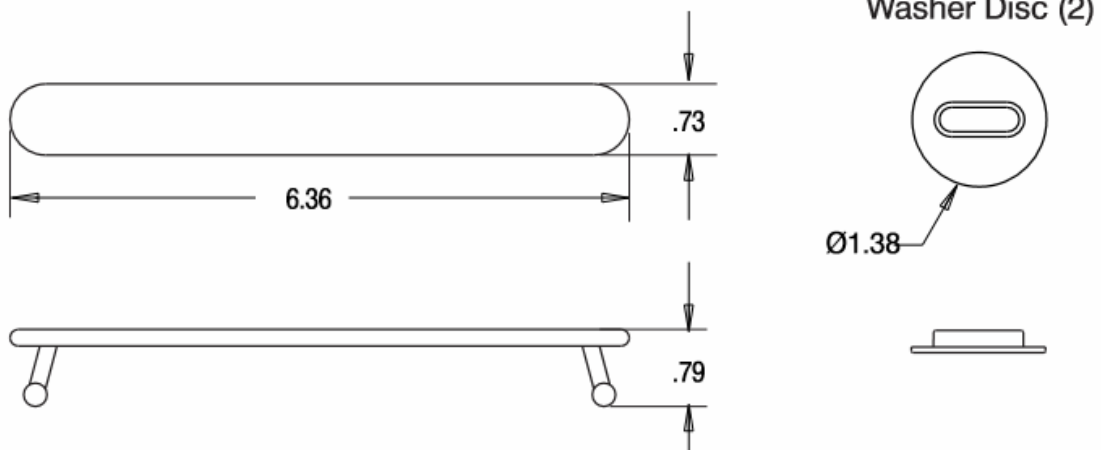
**Related Item**

35259



Product Description	
Item Name	Low Rider Handle & Washer Set
Size	6.36" (L) x 0.73"(W) x 0.79"(H)
Capacity	40 lbs.
Material	PP
Ordering Information	
352101080WEB	White Set
352108040WEB	Black Set
Packaging Information	
Carton Pack/MOQ	1,000 handles & 2,000 washer discs per carton
Carton Weight	35.3 lbs.

**Product Dimensions**



**Die-Cut "H" Dimensions**

