

Part Number
35210

Allen Field Company, Inc.

256A Orinoco Drive
Brightwaters NY 11718
(800) 535-0810
www.allenfield.com

Product Image



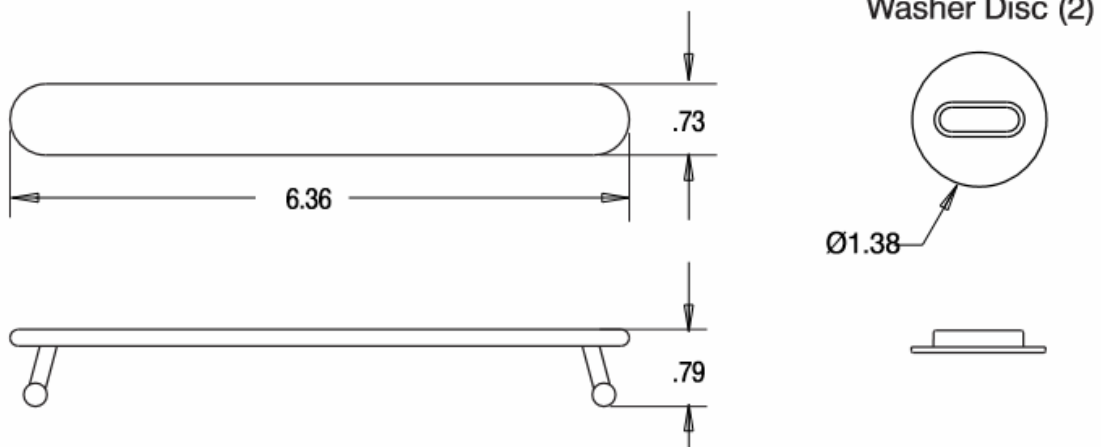
Related Item

35259



Product Description	
Item Name	Low Rider Handle & Washer Set
Size	6.36" (L) x 0.73" (W) x 0.79" (H)
Capacity	40 lbs.
Material	PP
Ordering Information	
352101080	White Set
352108040	Black Set
Packaging Information	
Carton Pack/MOQ	1,000 handles & 2,000 washer discs per carton
Carton Weight	35.3 lbs.

Product Dimensions



Die-Cut "H" Dimensions

