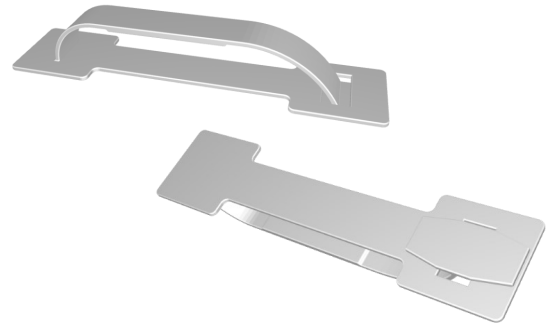


| Part Number |
|-------------|
| 35252 |

Allen Field Company, Inc.

256A Orinoco Drive
 Brightwaters NY 11718
 (800) 535-0810
 www.allenfield.com

Product Image



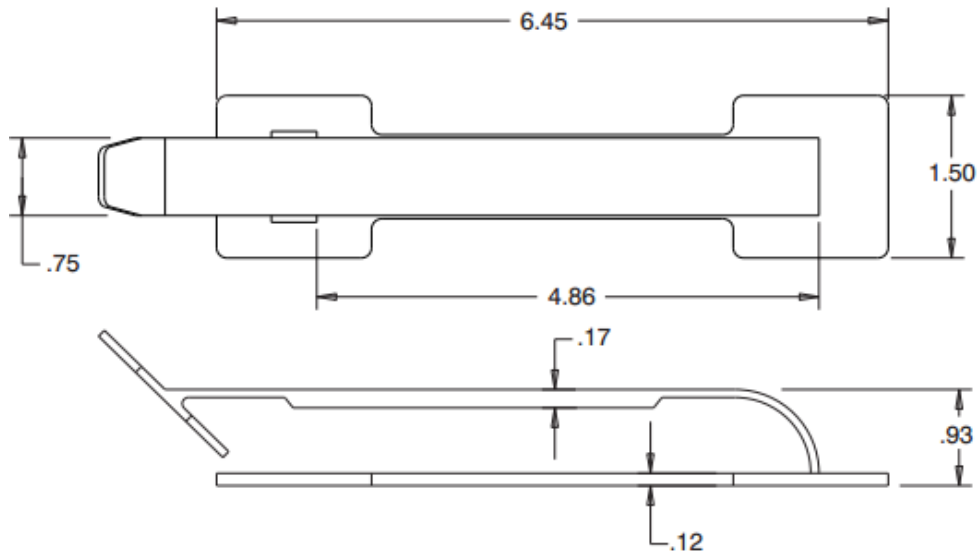
Related Item

35253

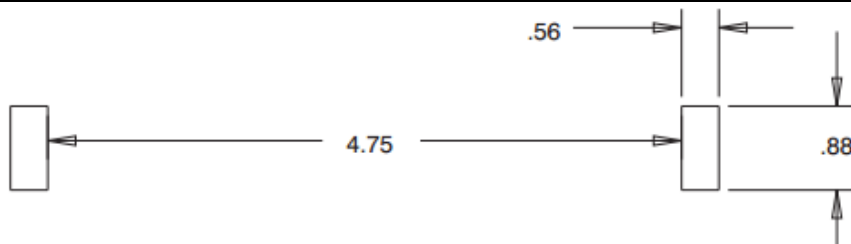


| Product Description | |
|-----------------------|-----------------------|
| Item Name | Integra S Handle |
| Size | 6.45" (L) x 1.50" (W) |
| Carrying Capacity | Up to 80 lbs. |
| Material | PE |
| Ordering Information | |
| 352521035 | White |
| 352528035 | Black |
| Packaging Information | |
| Carton Pack/MOQ | 500 pcs/ctn. |
| Carton Weight | 30 lbs. |

Product Dimensions



Die-Cut "L" Dimensions



Part Tolerance — +/- .03 inches (.75mm)

Dimensions are in inches