

Part Number
35600

www.allenfield.com  
 (800) 535-0810  
 info@allenfield.com

**Product Image**

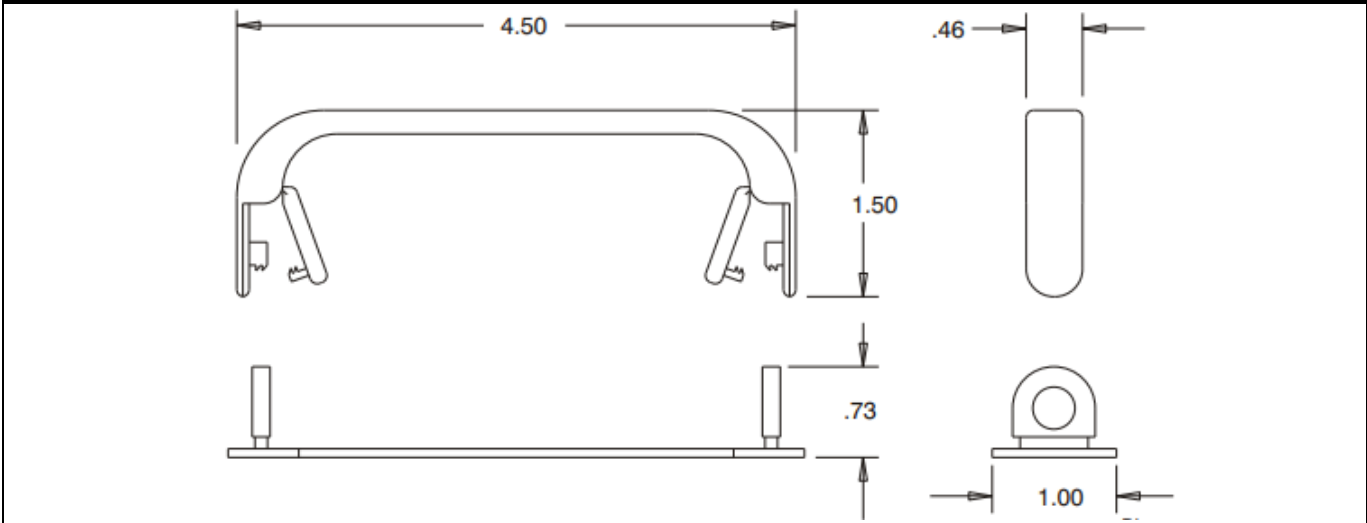


**Related Support**

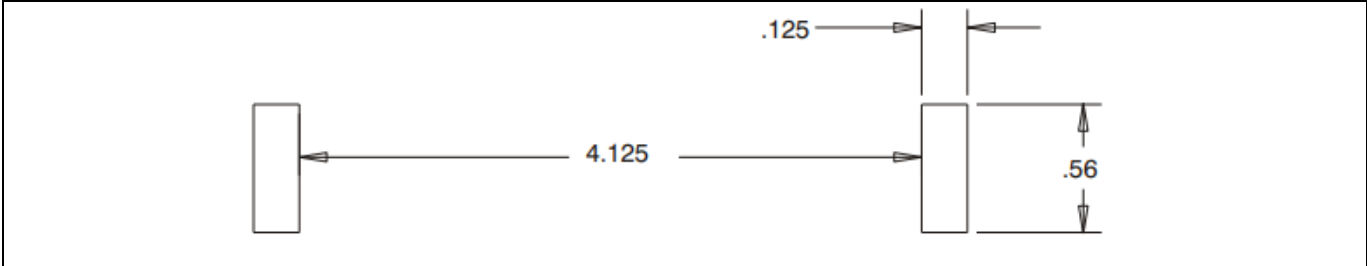


Product Description	
Item Name	Swivel Easy Lock Handle
Size	4.50"(L) x 1.50"(H)x 0.46"(W)
Carrying Capacity	Up to 30 lbs.
Material	PP
Ordering Information	
356000540	Translucent
356001040	White
356008040	Black
Packaging Information	
Carton Pack/MOQ	1000 pcs/ctn.
Carton Weight	42 lbs.

**Product Dimensions**



**Die-Cut "N" Dimensions**



Part Tolerance — +/- .03 inches (.75 mm)

Dimensions are in inches