

Part Number
35600

Allen Field Company, Inc.

256A Orinoco Drive
 Brightwaters NY 11718
 (800) 535-0810
 www.allenfield.com

Product Image



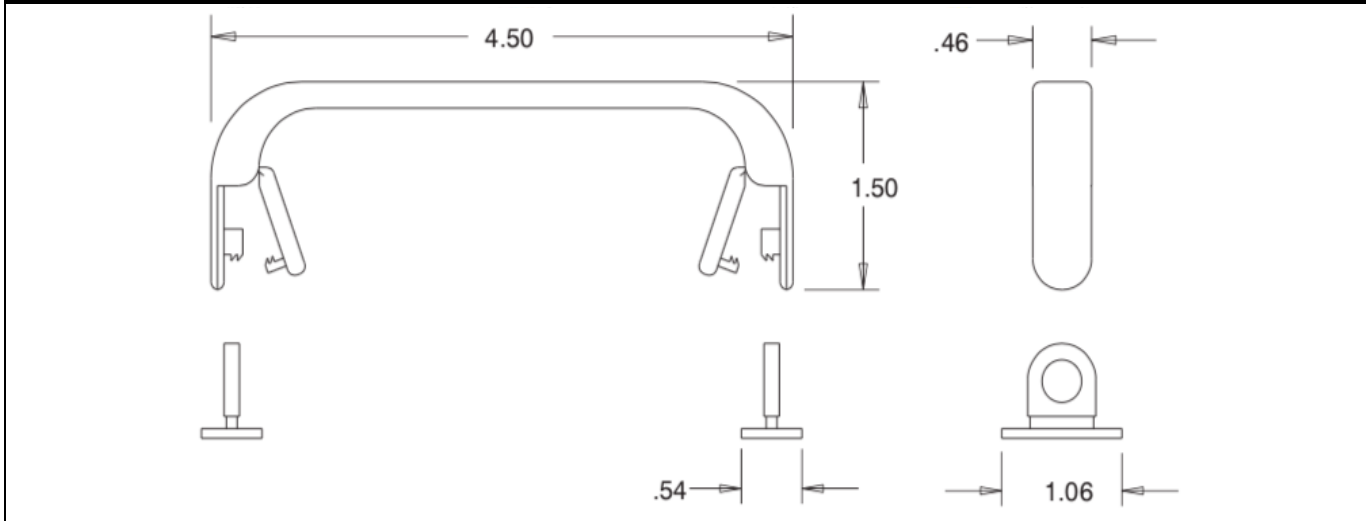
Related Support

356A

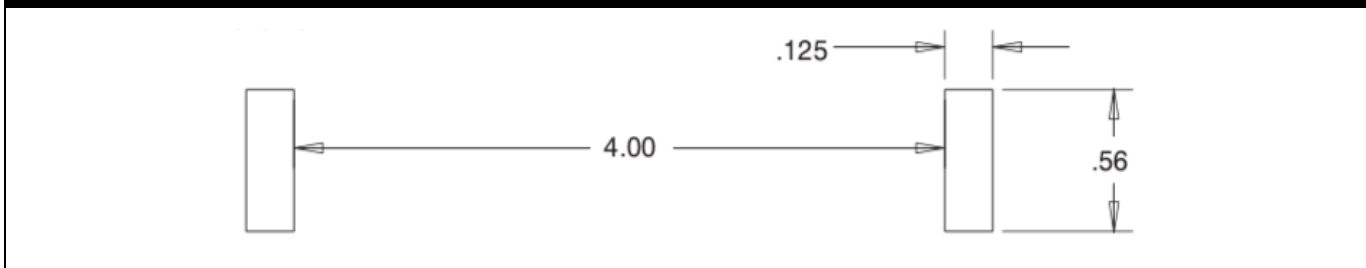


Product Description	
Item Name	Swivel Easy Lock Handle
Size	4.50"(L) x 1.50"(H)x 0.46"(W)
Carrying Capacity	Up to 45 lbs.
Material	PP
Ordering Information	
356000540	Translucent
356001040	White
356008040	Black
Packaging Information	
Carton Pack/MOQ	1000 pcs/ctn.
Carton Weight	33 lbs.

Product Dimensions



Die-Cut "N" Dimensions



Allen Field Company, Inc.

256A Orinoco Drive
Brightwaters NY 11718
(800) 535-0810
www.allenfield.com

Part Number
35600
Product Name
Swivel Easy Lock Handle

Product Images

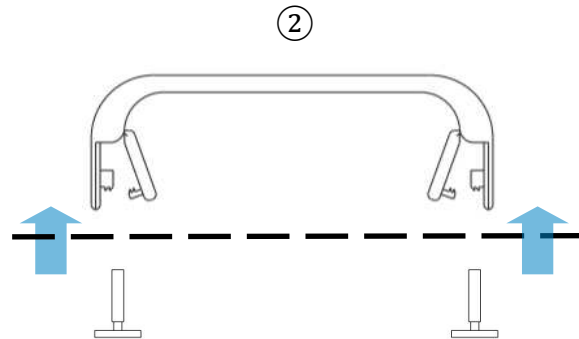


Installation Procedure

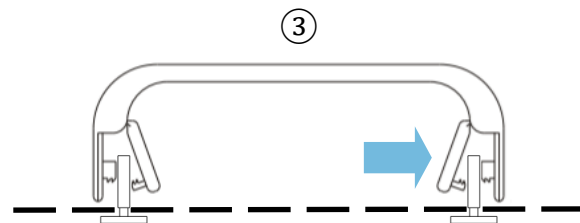
① Make proper die-cuts for the support tabs.



② Insert support tabs from inside the box. Align handle with support tabs.



③ Snap hinge to secure handle to support tabs.



Support Tab (Side view)