

Part Number
356A

**Allen Field Company, Inc.**

256A Orinoco Drive  
Brightwaters NY 11718  
(800) 535-0810  
www.allenfield.com

Product Description	
Item Name	Easy Lock Support Bar
Size	4.50”(L) x 1.00”(W)
Material	PP
Ordering Information	
356A1040	White
356A8040	Black
Packaging Information	
Carton Pack/MOQ	1000 pcs/ctn.
Carton Weight	7 lbs.

**Product Image**



**Related Items**

35610



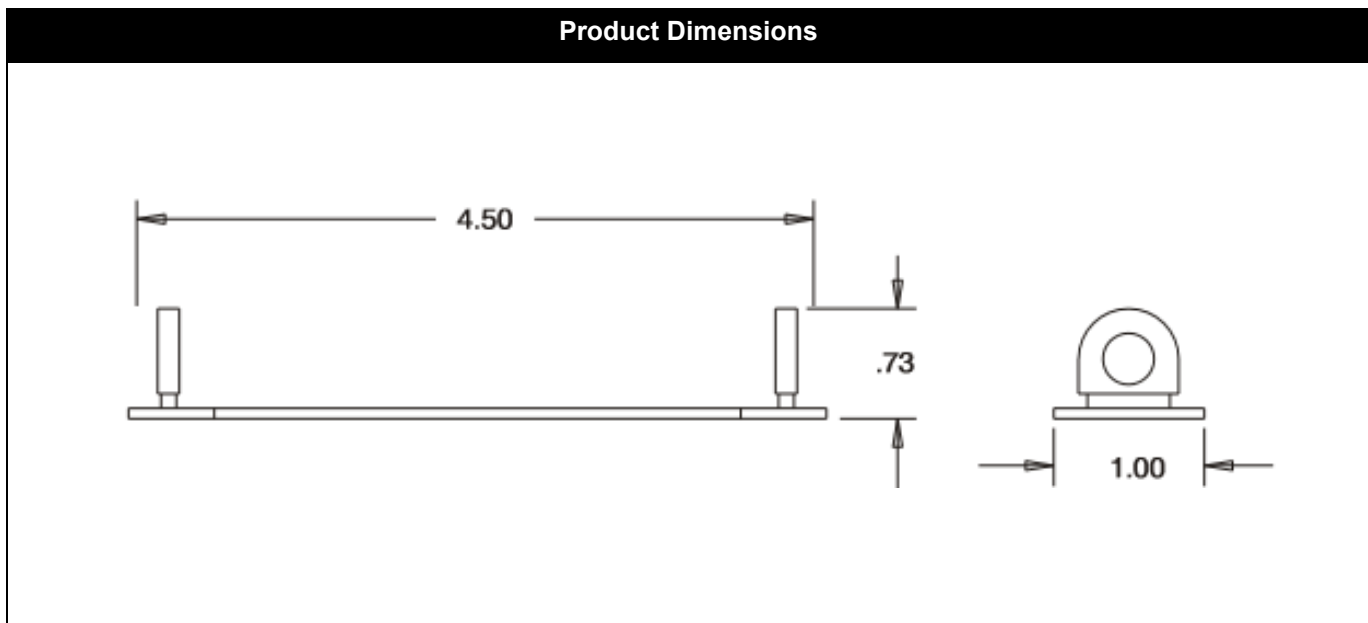
35600



35620



\* Item is designed for use with the Euro Swivel, Swivel Easy Lock, and Soft Touch Swivel handle.



Part Tolerance — +/- .03 inches (.75mm)

Dimensions are in inches

**Allen Field Company, Inc.**

256A Orinoco Drive  
Brightwaters NY 11718  
(800) 535-0810  
www.allenfield.com

Part Number
356A
Product Name
Easy Lock Support Bar

### Product Images

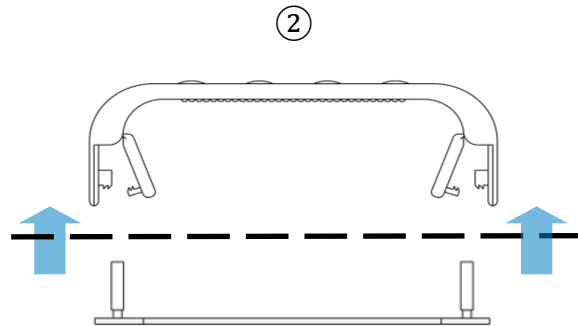


### Installation Procedure

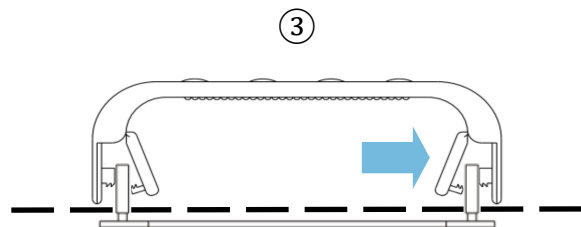
- ① Make proper die-cuts for the support bar.



- ② Insert support bar from inside the box. Align handle with support bar.



- ③ Snap hinge to secure handle to support bar.



Support Bar (Side view)