

Part Number
35707

Allen Field Company, Inc.

256A Orinoco Drive
Brightwaters NY 11718
(800) 535-0810
www.allenfield.com

Product Image



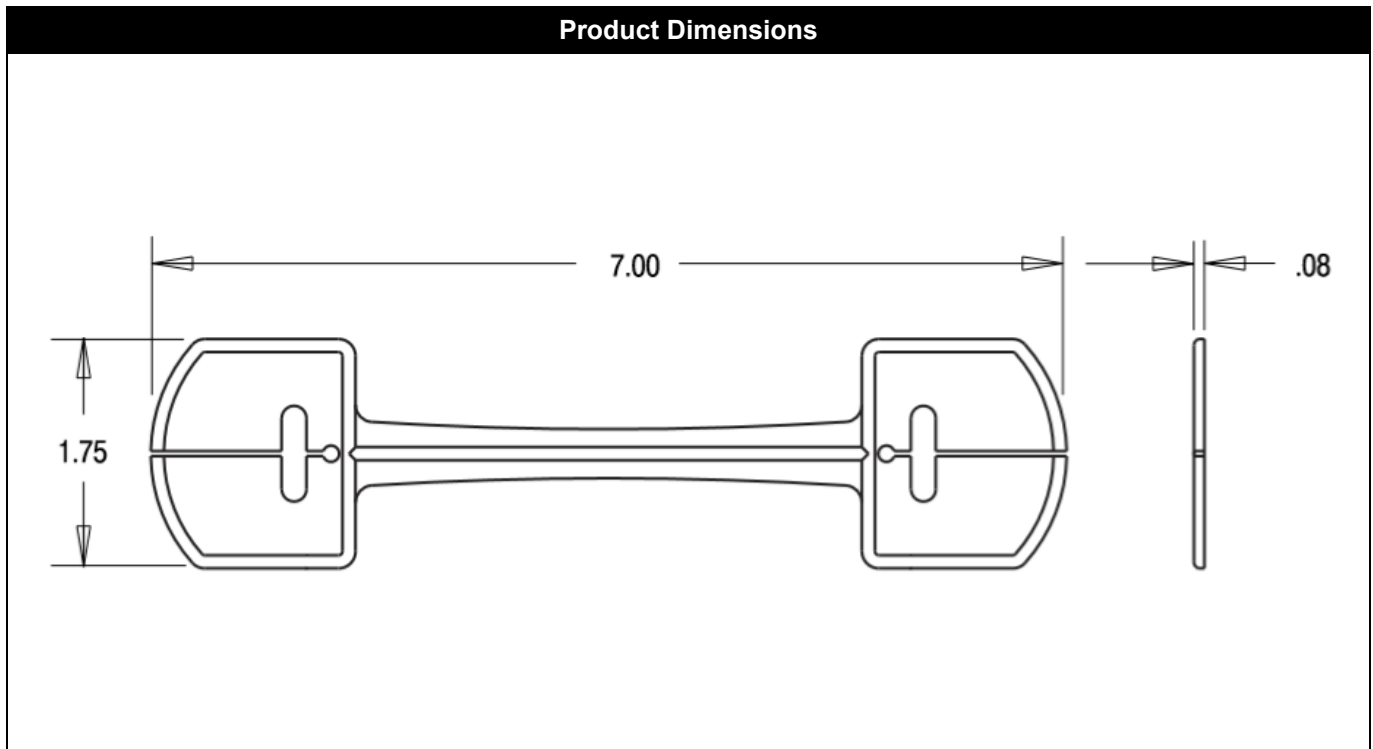
Related Items

35607



Product Description	
Item Name	Curva Handle Washer Plate
Size	7.00"(L) x 1.75"(W)
Thickness	0.08"
Material	PE
Ordering Information	
357070535	Translucent (Stock in Translucent. Custom colors are available upon request.)
Packaging Information	
Carton Pack/MOQ	1500 pcs/ctn.
Carton Weight	22 lbs.

* Item is designed for use with the Curva Handle (35607) only.



Part Tolerance — +/- .03 inches (.75mm)

Dimensions are in inches