

Part Number
35795

Allen Field Company, Inc.

256A Orinoco Drive
Brightwaters NY 11718
(800) 535-0810
www.allenfield.com

Product Image



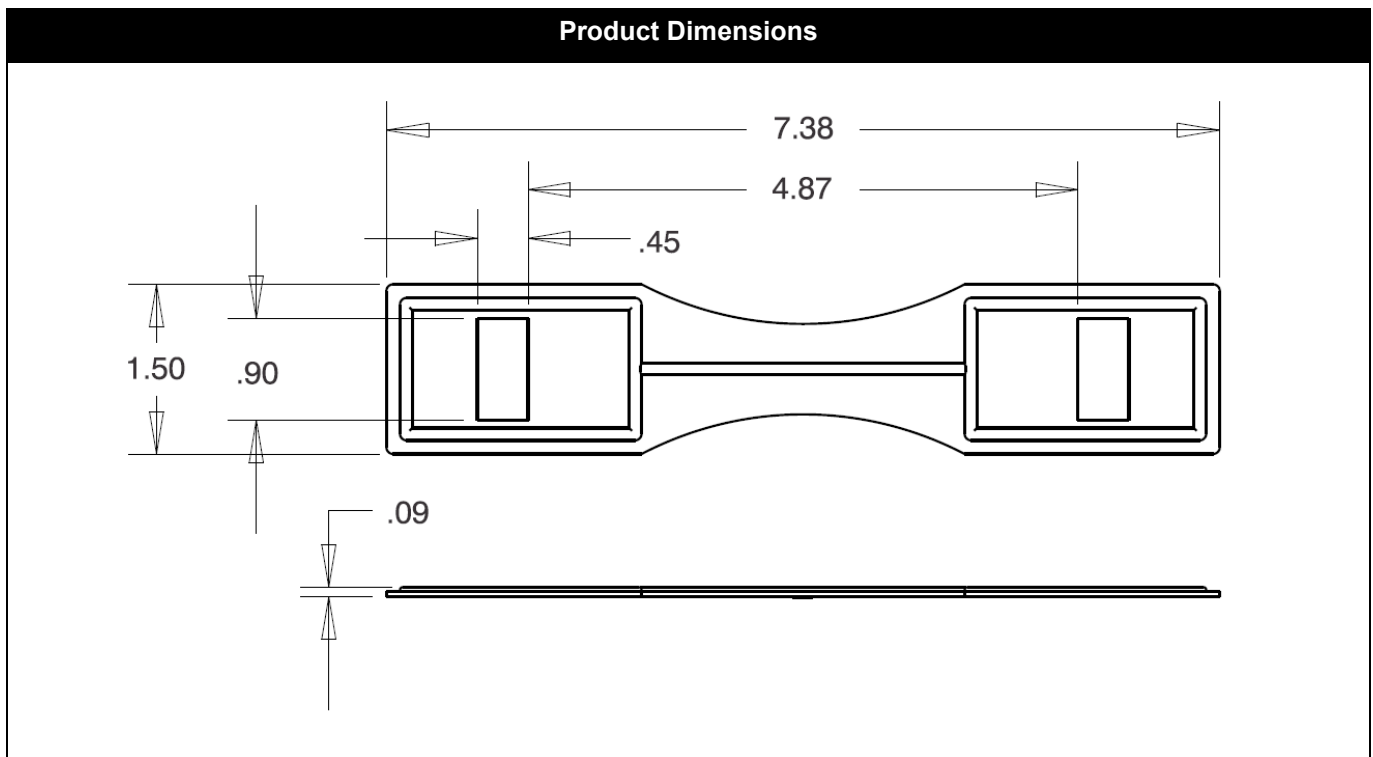
Related Items

35259



Product Description	
Item Name	Hi-Line Washer Plate
Size	7.38"(L) x 1.50"(W)
Thickness	0.09"
Material	PP
Ordering Information	
357950540	Translucent
Packaging Information	
Carton Pack/MOQ	1000 pcs/ctn.
Carton Weight	39 lbs.

* This washer plate is designed for use with the Hi-Line Flex Handle.



Part Tolerance — +/- .03 inches (.75mm)

Dimensions are in inches