

Part Number
35P70R

Allen Field Company, Inc.

256A Orinoco Drive
 Brightwaters NY 11718
 (800) 535-0810
 www.allenfield.com

Product Image



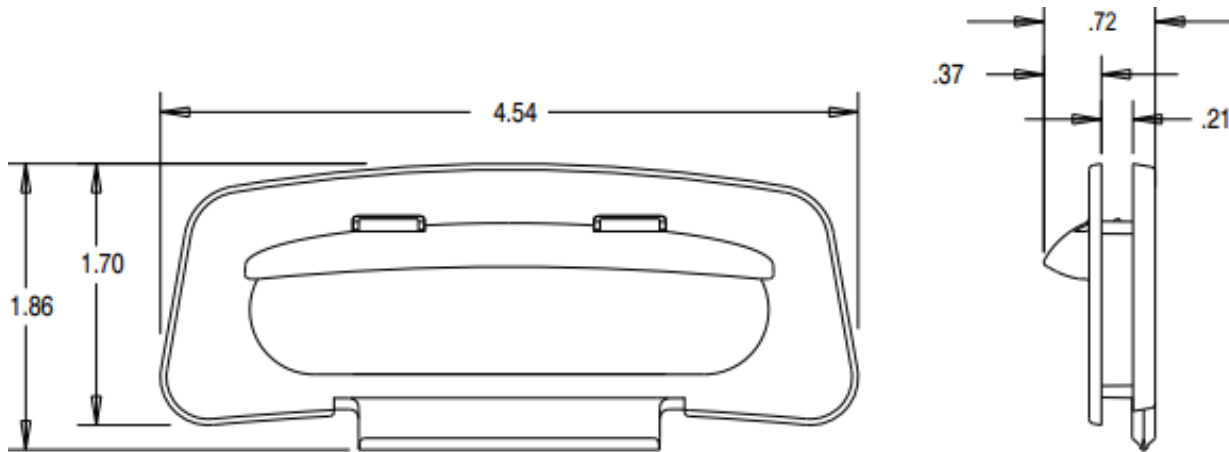
Related Item

PP901WP2



Product Description	
Item Name	Arc Protective Hand Hole Clip
Size	4.54"(W) x 1.70"(H)
Maximum Board Thickness	.21"
Material	PP
Ordering Information	
35P70R1040	White
35P70R8040	Black
Packaging Information	
Carton Pack/MOQ	600 pcs/ctn.
Carton Weight	24 lbs.

Product Dimensions



Die-Cut Dimensions

