

Part Number
47-1010

www.allenfield.com
 (800) 535-0810
 info@allenfield.com

Product Description	
Item Name	Rotary Display Hook
Size	10.12"(L) , 2.38"(Dia)
Board Thickness	.170-.210"
Material	PS
Ordering Information	
47-1010-80	Black
Packaging Information	
Carton Pack/MOQ	600 pcs/ctn.
Carton Weight	32.2 lbs.

Product Image



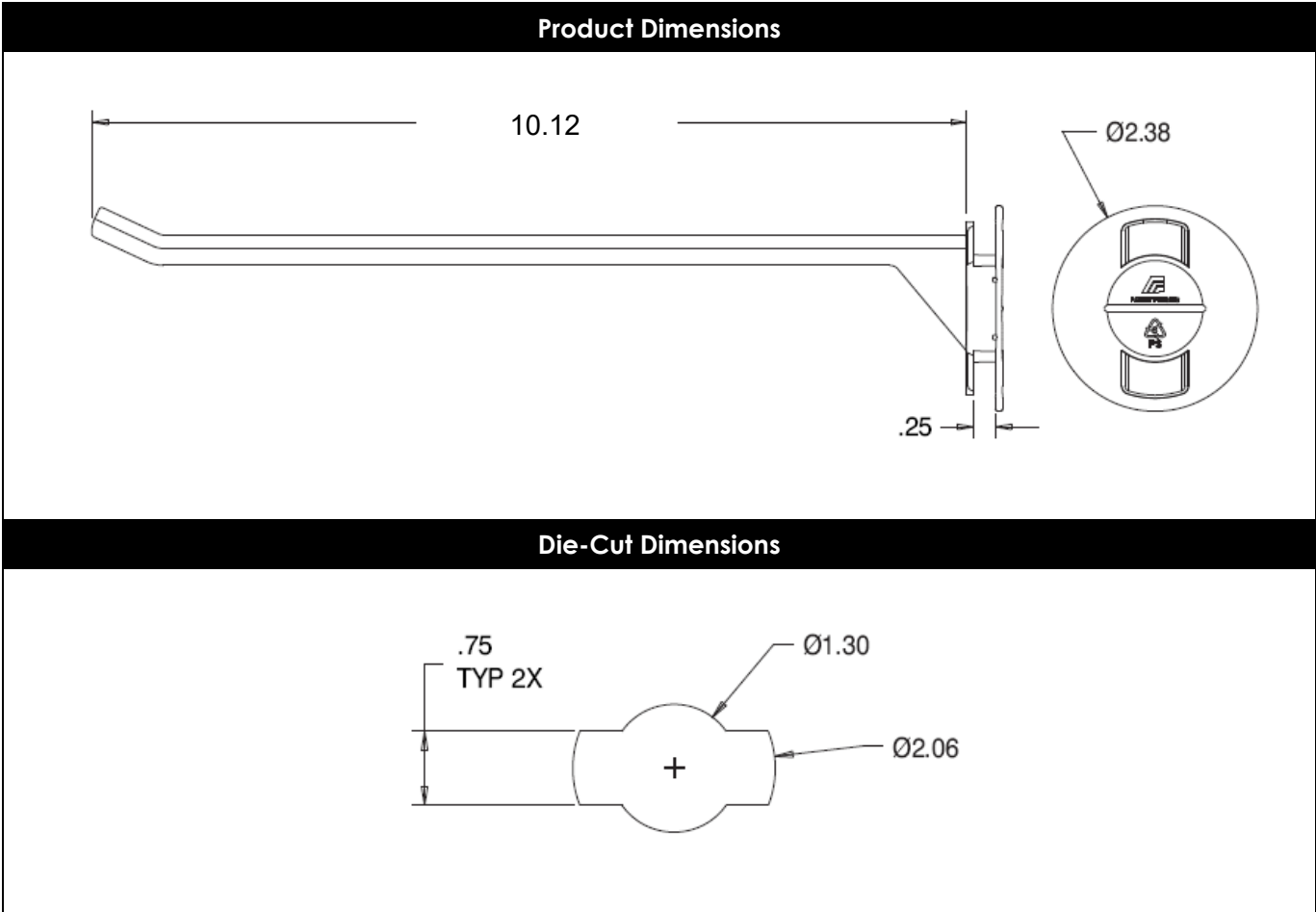
Related Items

47-1008



*** Patent Protected**

For more information visit <https://www.allenfield.com/patents/>



Part Tolerance — +/- .03 inches (.75mm)

Dimensions are in inches