

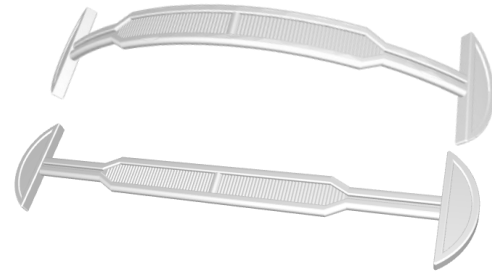
Part Number
35009

Allen Field Company, Inc.

256A Orinoco Drive
 Brightwaters NY 11718
 (800) 535-0810
 www.allenfield.com

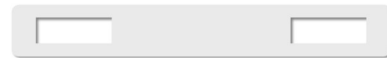
Product Description	
Item Name	9" Heavy Duty Handle
Size	9.00"(L) x 2.00"(W)
Carrying Capacity	Up to 100 lbs.
Material	PE
Ordering Information	
350090530	Translucent
350091030	White
350098030	Black
Packaging Information	
Carton Pack/MOQ	1200 pcs/ctn.
Carton Weight	38 lbs.

Product Image

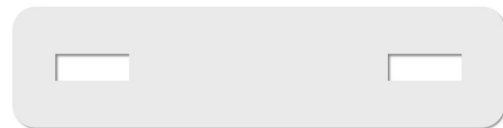


Related Support Plates

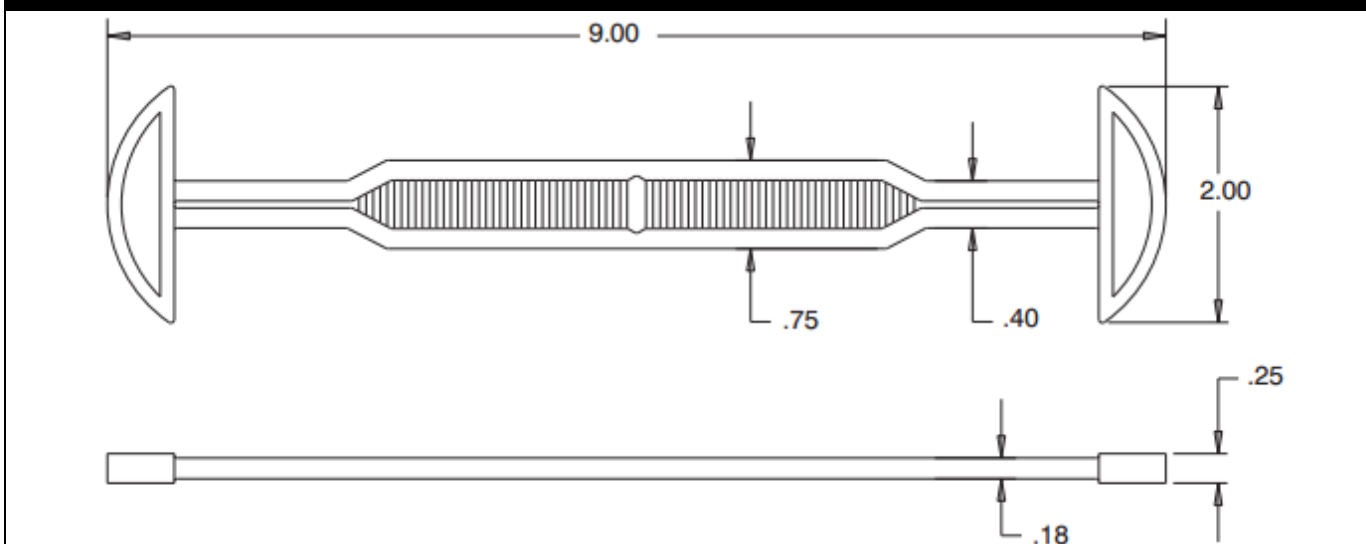
35770/VF



35776



Product Dimensions



Die-Cut "B" Dimensions

