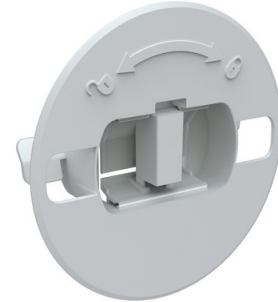


Part Number
BC600

Product Image



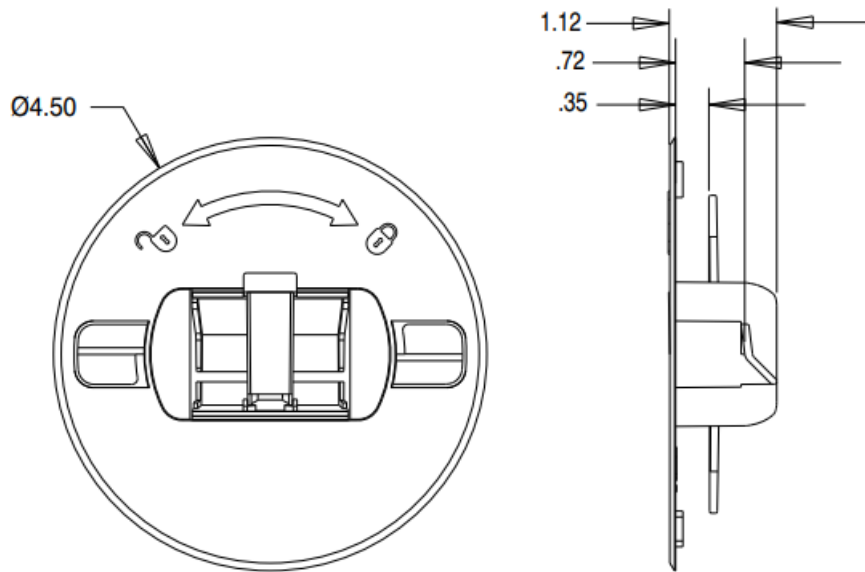
Related Item

HP602W-10mm



Product Description	
Item Name	BC600 Rotary Connecting Clip
Size	4.50" Diameter
Maximum Board Thickness	0.35"
Material	PP
Ordering Information	
BC600-2-05	Translucent
Packaging Information	
Carton Pack/MOQ	250 pcs/ctn.
Carton Weight	16 lbs.

Product Dimensions



Die-Cut Dimensions (Type 2)

