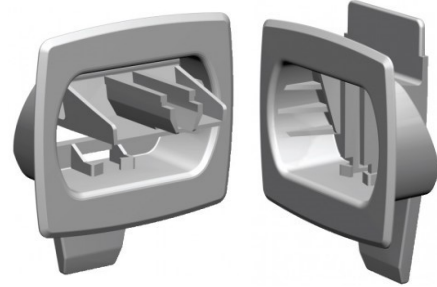


Part Number
HP601D

Allen Field Company, Inc.

256A Orinoco Drive
 Brightwaters NY 11718
 (800) 535-0810
 www.allenfield.com

Product Image



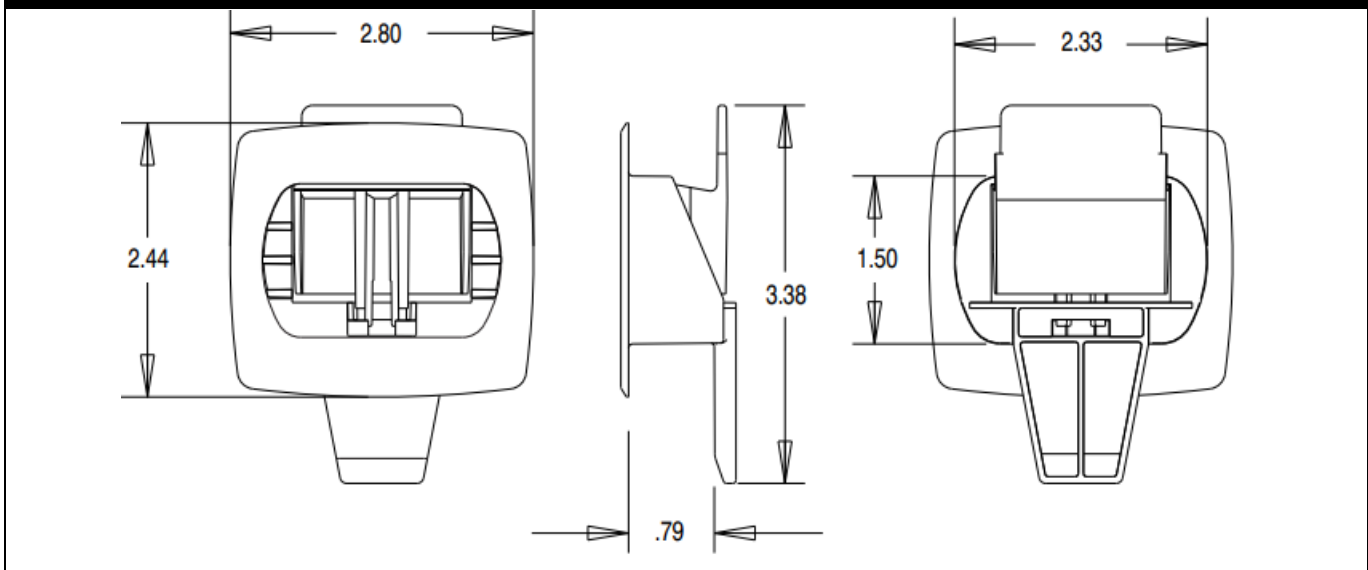
Related Item

HP601W3



Product Description	
Item Name	Fixed Paddle Connecting Clip
Size	2.80"(W) x 2.44"(H)
Maximum Board Thickness	0.79"
Material	PP
Ordering Information	
HP601D	Translucent
Packaging Information	
Carton Pack/MOQ	600 pcs/ctn.
Carton Weight	23 lbs.

Product Dimensions



Die-Cut Dimensions (Type 1)

