

Part Number
HP601WA

### Allen Field Company, Inc.

256A Orinoco Drive  
 Brightwaters NY 11718  
 (800) 535-0810  
 www.allenfield.com

### Product Image



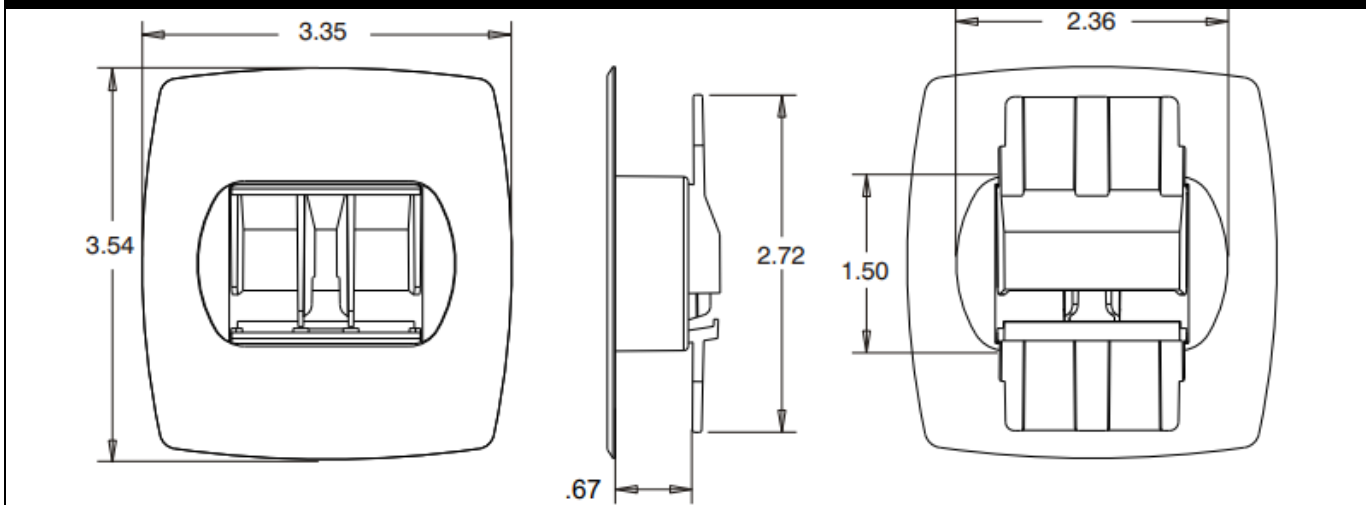
### Related Item

HP601W



Product Description	
Item Name	Double-Wall Clip
Size	3.35"(W) x 3.54"(H)
Maximum Board Thickness	0.67"
Material	PP
Ordering Information	
HP601WA	Translucent
Packaging Information	
Carton Pack/MOQ	300 pcs/ctn.
Carton Weight	16.3 lbs.

### Product Dimensions



### Die-Cut Dimensions (Type 1)

