

Part Number
HP602W-10mm

### Allen Field Company, Inc.

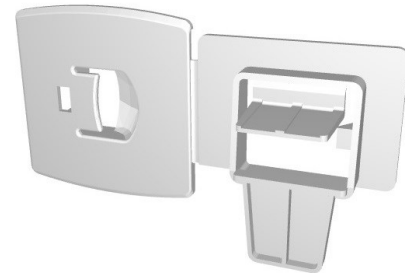
1450 Bridgewater Rd.  
 Bensalem, PA 19020  
 (800) 535-0810  
 www.allenfield.com

#### Product Image



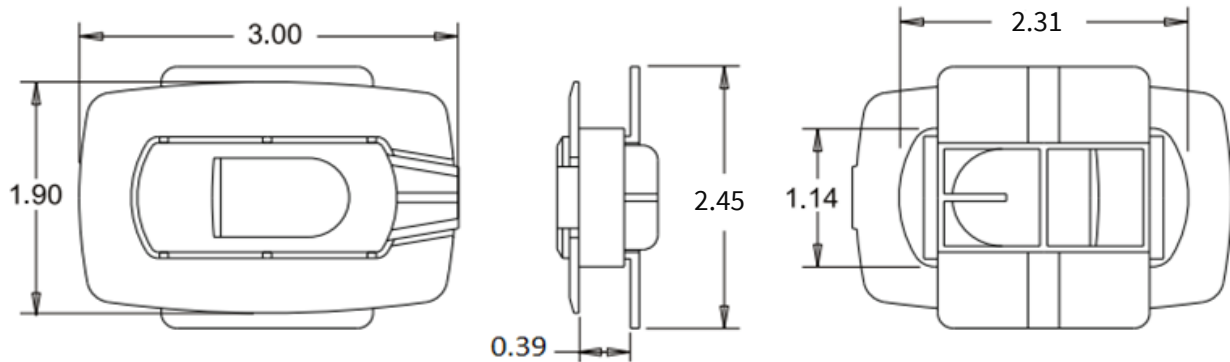
#### Related Item

HP403



Product Description	
Item Name	Single-Wall Clip
Size	3.00"(W) x 1.90"(H)
Maximum Board Thickness	0.39"
Material	PP
Ordering Information	
HP602W-10mm	Translucent
Packaging Information	
Carton Pack/MOQ	500 pcs/ctn.
Carton Weight	18 lbs.

#### Product Dimensions



#### Die-Cut Dimensions (Type 1)

