

www.allenfield.com
 (800) 535-0810
 info@allenfield.com

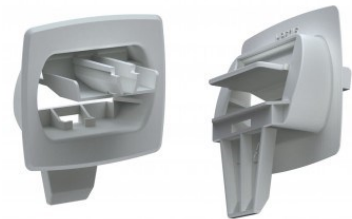
Part Number
HP603

Product Image



Related Item

HP601S

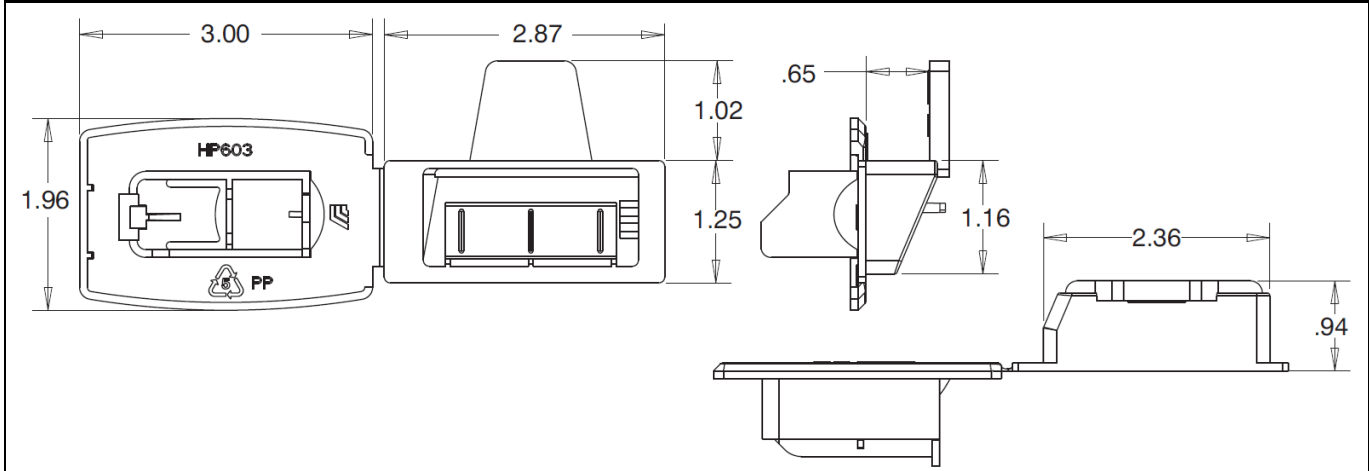


Product Description	
Item Name	Fixed Paddle Connecting Clip
Size	3.00"(W) x 1.96"(H)
Maximum Board Thickness	0.65"
Material	PP
Ordering Information	
HP603	Translucent
HP603-80	Black
HP603.80.A00	Black with Up Arrow
Packaging Information	
Carton Pack/MOQ	400 pcs/ctn.
Carton Weight	23 lbs.

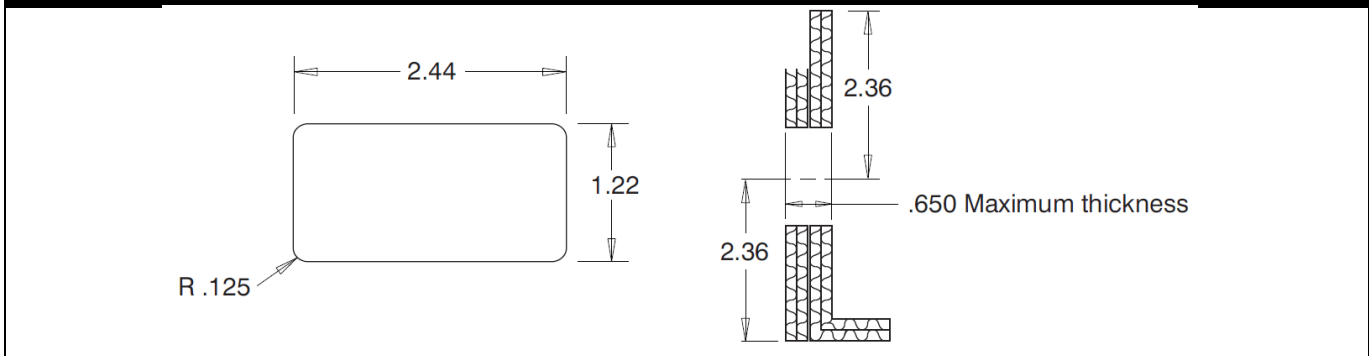
*** Patent Protected**

For more information visit <https://www.allenfield.com/patents/>

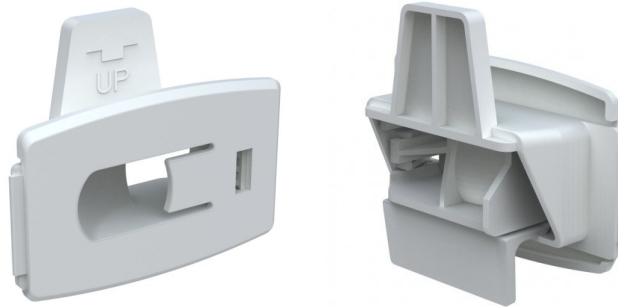
Product Dimensions



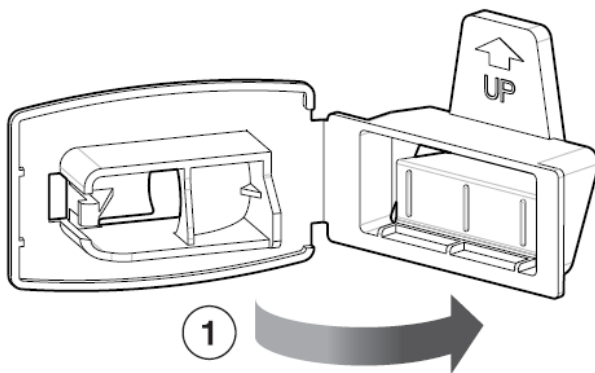
Die-Cut Dimensions (Type 1)



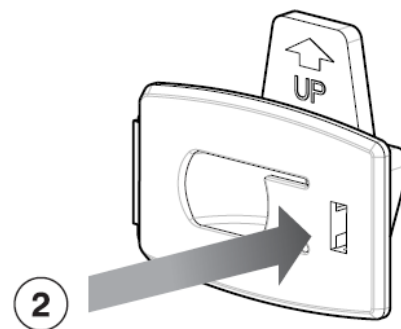
Part Number
HP603



Installation Procedure



1. Rotate the outside door of the connecting clip into the main body.



2. Press the outside door until it rotates all the way in and locks into place.

Removal

1. Pull on the tab to release the outside door from the main body of the clip.

