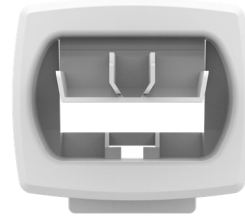


### Allen Field Company, Inc.

256A Orinoco Drive  
 Brightwaters NY 11718  
 (800) 535-0810  
 www.allenfield.com

Part Number
HP460WS

#### Product Image



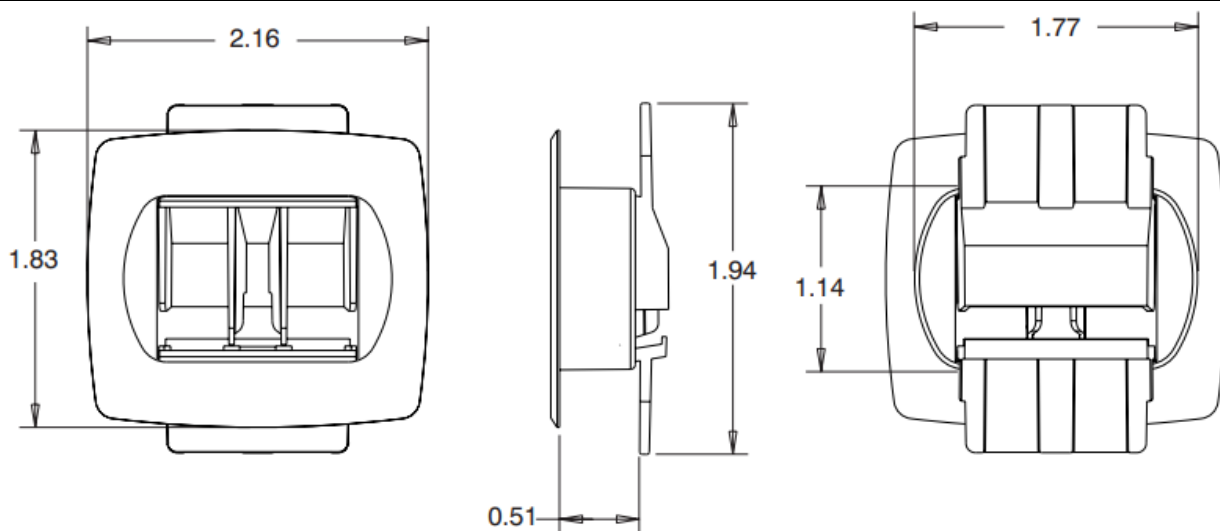
#### Related Item

HP601W

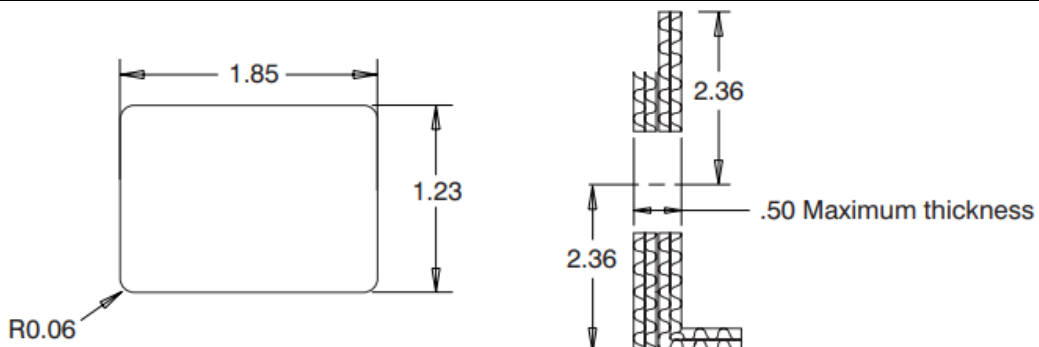


Product Description	
Item Name	Double-Wall Clip
Size	2.16"(W) x 1.83"(H)
Maximum Board Thickness	0.50"
Material	PP
Ordering Information	
HP460WS	Translucent
Packaging Information	
Carton Pack/MOQ	1000 pcs/ctn.
Carton Weight	19 lbs.

#### Product Dimensions



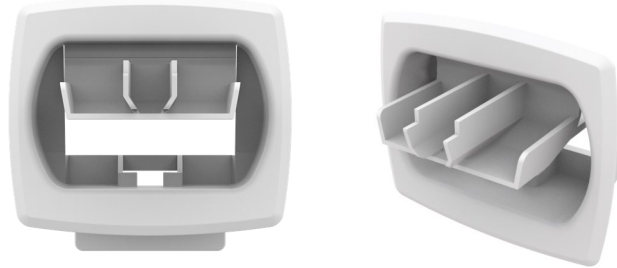
#### Die-Cut Dimensions (Type 1)



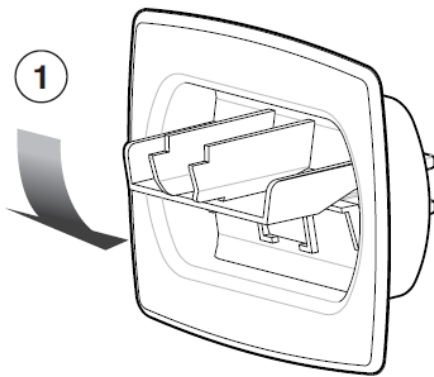
<b>Part Number</b>
HP460WS

**Allen Field Company, Inc.**

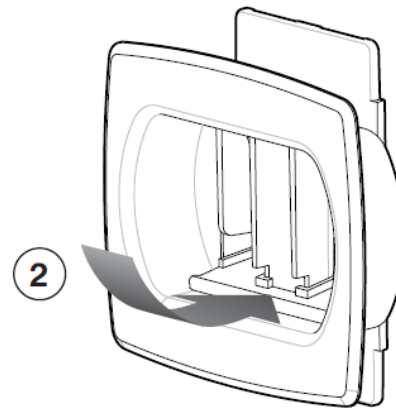
256A Orinoco Drive  
Brightwaters NY 11718  
(800) 535-0810  
www.allenfield.com



### Installation Procedure



1. Press downward on the upper paddle.  
It will begin rotating inside the clip.



2. Continue pressing on the paddle until  
it rotates all the way in and locks into  
place.

### Removal

1. Squeeze the two vertical ribs on the  
upper paddle so the bottom ends  
release from the base.

2. Rotate the paddle back upward.

