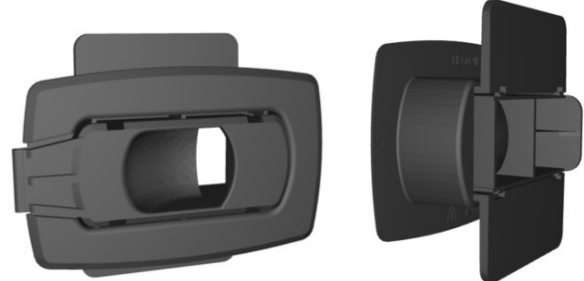


Part Number
HP602W

Allen Field Company, Inc.

256A Orinoco Drive
 Brightwaters NY 11718
 (800) 535-0810
 www.allenfield.com

Product Image



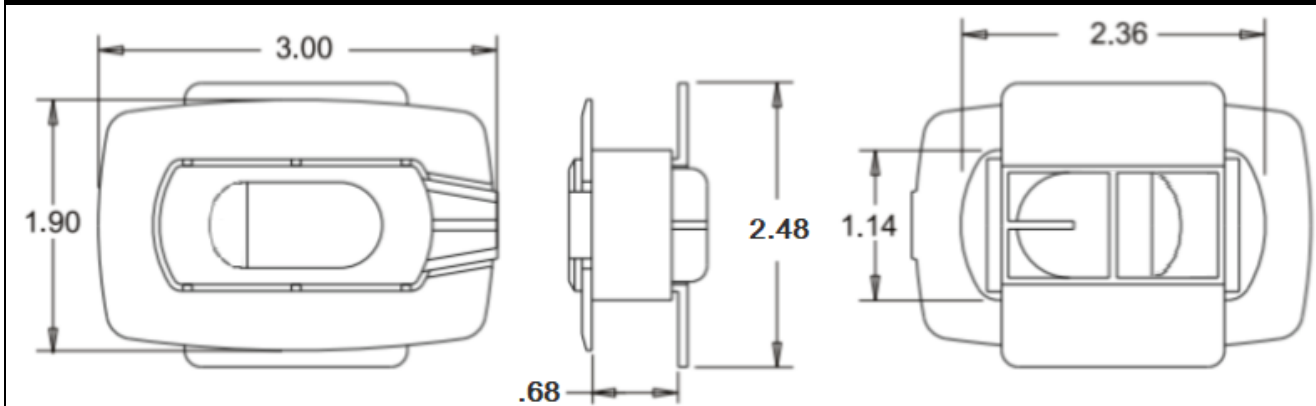
Related Item

HP603

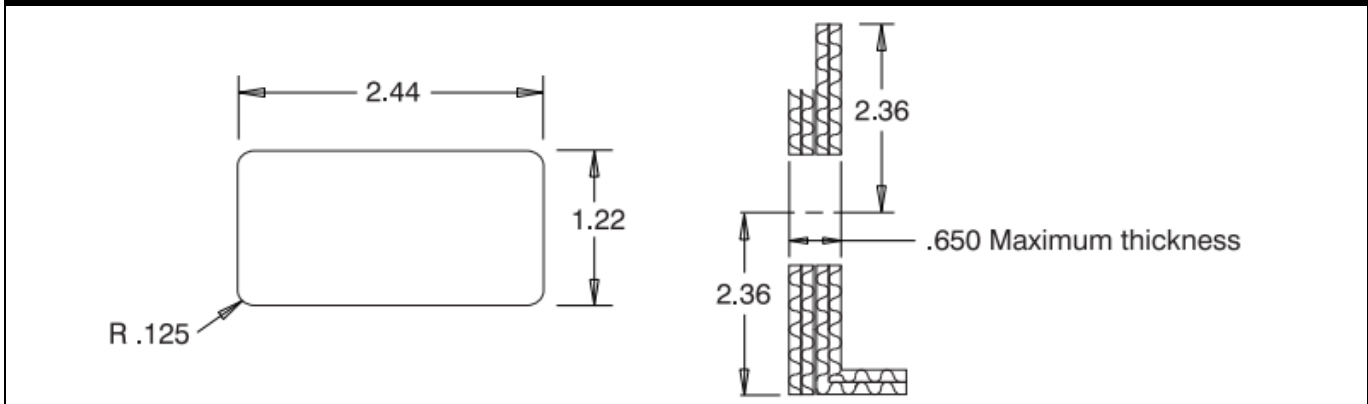


Product Description	
Item Name	Double Wall Clip
Size	3.00"(W) x 1.90"(H)
Maximum Board Thickness	0.65"
Material	PP
Ordering Information	
HP602W	Translucent
HP602W-80	Black
Packaging Information	
Carton Pack/MOQ	500 pcs/ctn.
Carton Weight	25 lbs.

Product Dimensions



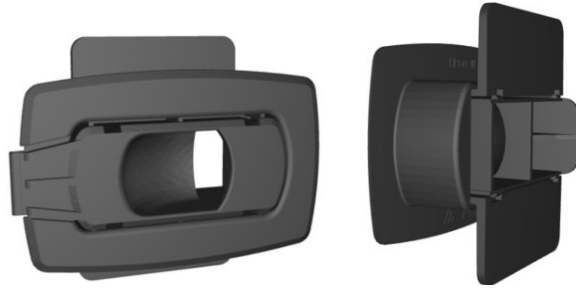
Die-Cut Dimensions (Type 1)



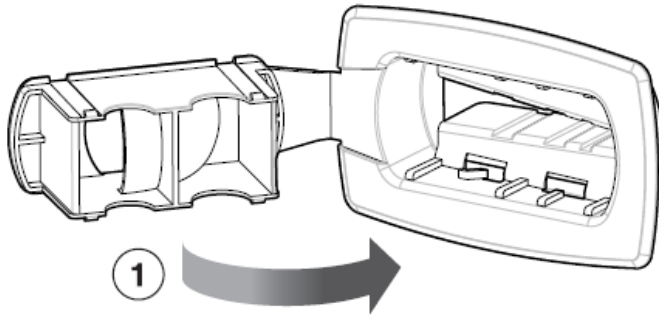
Part Number
HP602W

Allen Field Company, Inc.

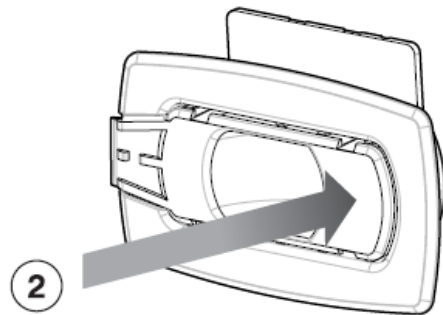
256A Orinoco Drive
Brightwaters NY 11718
(800) 535-0810
www.allenfield.com



Installation Procedure



1. Rotate the outside door of the connecting clip into the main body.



2. Press the outside door until it rotates all the way in and locks into place.

Removal

1. Pull on the tab to release the outside door from the main body of the clip.

