

Allen Field Company, Inc.

256A Orinoco Drive
Brightwaters NY 11718
(800) 535-0810
www.allenfield.com

Part Number

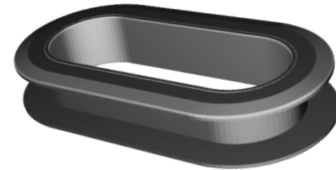
PP800

Product Image



Related Product

PP906



Product Description

Item Name	Hand Hole Protector w/ Dust Cover
Size	4.75" (W) x 2.75" (H) 121.6 (mm) x 70.6 (mm)
Board Thickness	.12" Min. to .24" Max.
Material	PP

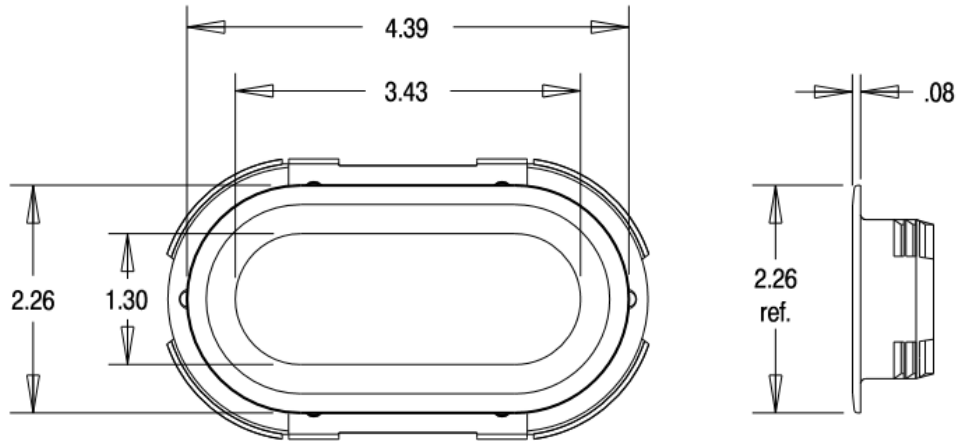
Ordering Information

PP800-80	Black
----------	-------

Packaging Information

Carton Pack/MOQ	500 sets/ctn.
Carton Weight	34 lbs.

Product Dimensions



Die-Cut Dimensions (Type 3)

