

Part Number
PP901WP2

**Allen Field Company, Inc.**

256A Orinoco Drive  
Brightwaters NY 11718  
(800) 535-0810  
www.allenfield.com

**Product Image**



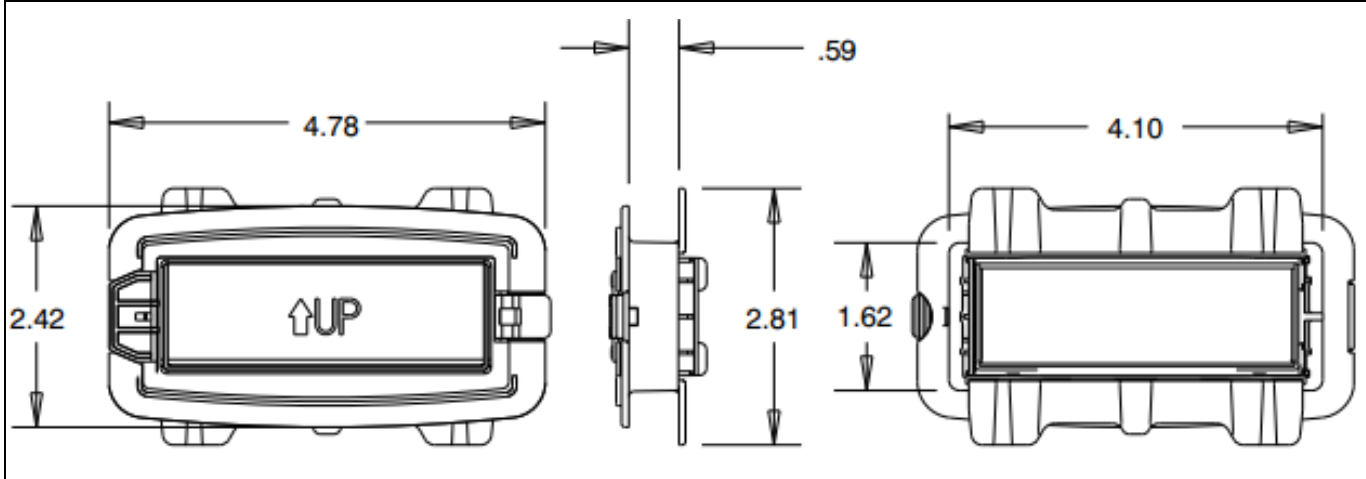
**Related Item**

PP909WP2



Product Description	
Item Name	Large Protective Hand Hole Clip
Size	4.78"(W) x 2.42"(H)
Maximum Board Thickness	.60"
Material	PP
Ordering Information	
PP901WP2	Translucent
Packaging Information	
Carton Pack/MOQ	200 pcs/ctn.
Carton Weight	15 lbs.

**Product Dimensions**



**Die-Cut Dimensions (Type 2)**

