

Part Number
PP909WP2

Allen Field Company, Inc.

256A Orinoco Drive
Brightwaters NY 11718
(800) 535-0810
www.allenfield.com

Product Image



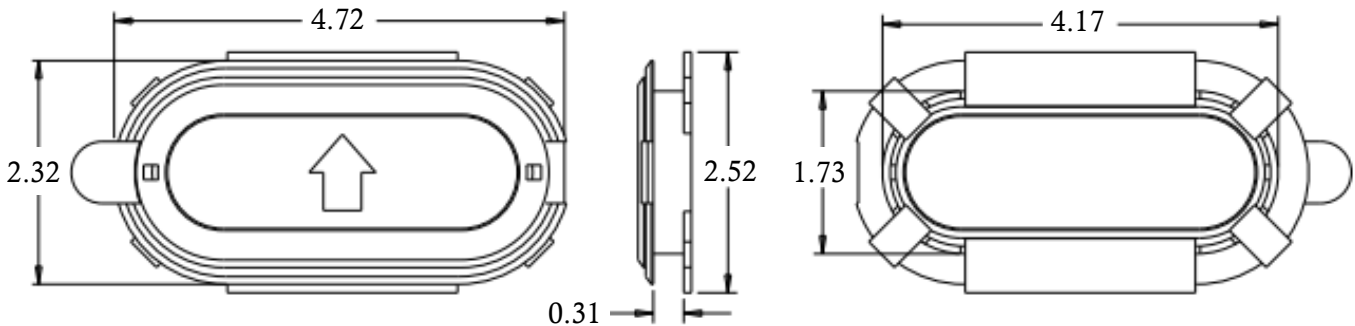
Related Item

PP901WP2



Product Description	
Item Name	Oval Protective Hand Hole Clip
Size	4.72"(W) X 2.32"(H)
Maximum Board Thickness	.31"
Material	PP
Ordering Information	
PP909WP2	Translucent
Packaging Information	
Carton Pack/MOQ	300 pcs/ctn.
Carton Weight	20 lbs.

Product Dimensions



Die-Cut Dimensions (Type 3)

