

Part Number
30544

Allen Field Company, Inc.

256A Orinoco Drive
 Brightwaters NY 11718
 (800) 535-0810
 www.allenfield.com

Product Image



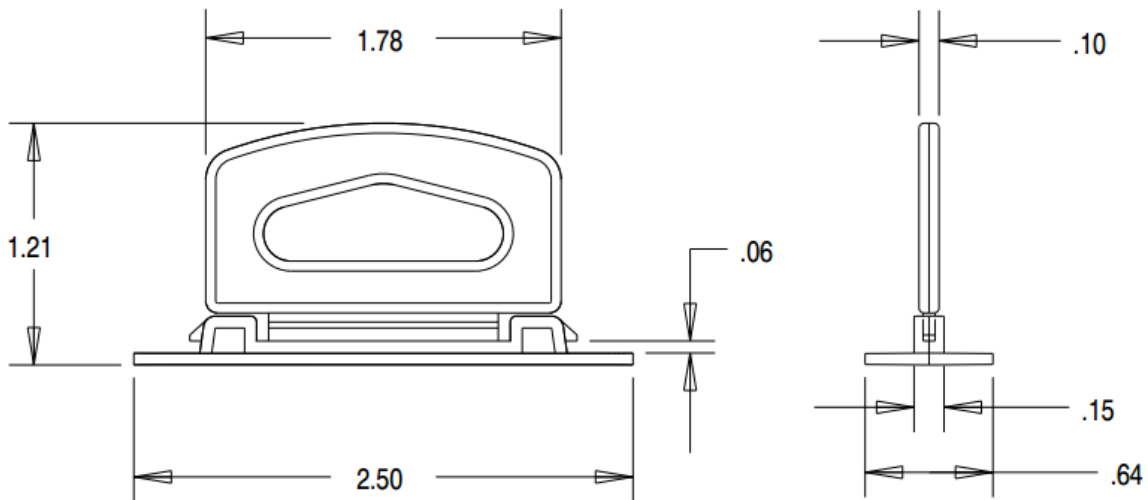
Product Description	
Item Name	544 Swivel Hanger Tab
Size	2.50"(W) x 1.21"(H)
Material	Polyethylene
Ordering Information	
305441035	White
305448035	Black
Packaging Information	
Carton Pack/MOQ	5000 pcs/ctn.
Carton Weight	32 lbs.

Related Item

30545



Product Dimensions



Die-Cut Dimensions

