

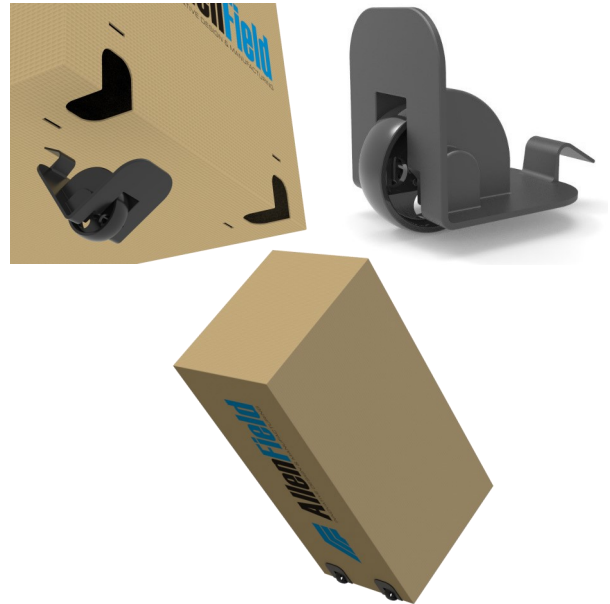
Part Number
WE-600-80

Allen Field Company, Inc.

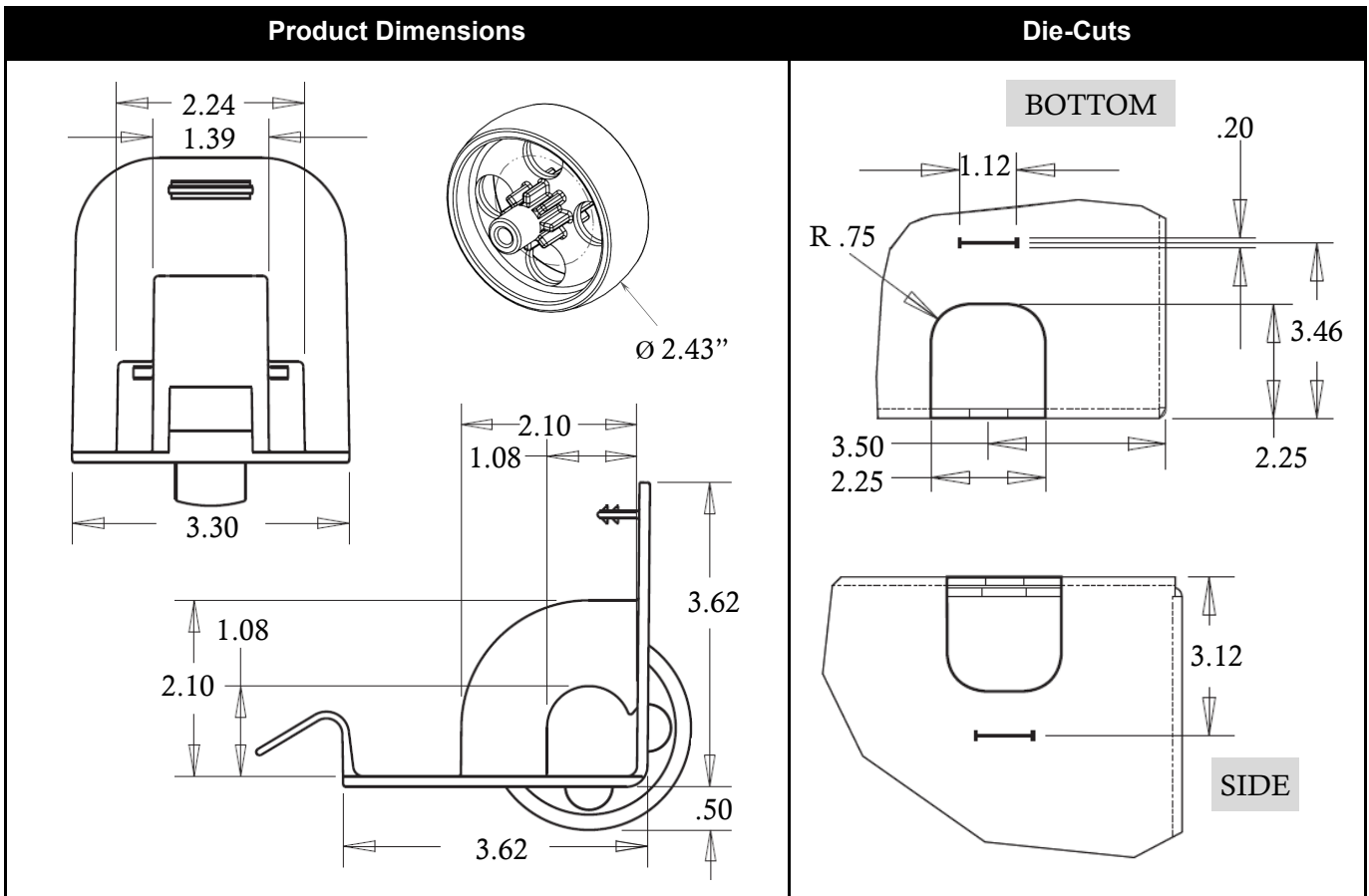
256A Orinoco Drive
 Brightwaters NY 11718
 (800) 535-0810
 www.allenfield.com

Product Image

WE-600-80



Product Description	
Item Name	Wheel Eze
Size	3.30"(W) x 3.62"(L) x 3.62"(H)
Board Thicknesses	Bottom Board: 0.56" Max. Side Board: 0.31" Max.
Material	PP
Ordering Information	
WE-600-80	Black
Packaging Information	
Carton Quantity/MOQ	100/ctn. Bracket and Wheel Assembled
Carton Weight	23 lbs.



Part Tolerance — +/- .03inches (.75mm)

Dimensions are in Inches