

Part Number
30750

Allen Field Company, Inc.

256A Orinoco Drive
Brightwaters NY 11718
(800) 535-0810
www.allenfield.com

Product Image



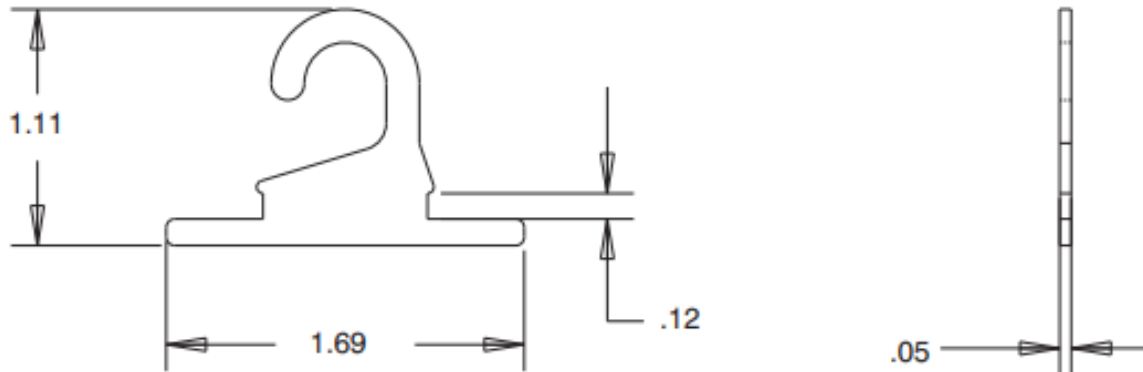
Related Items

30702



Product Description	
Item Name	Header Slide Hook
Size	1.69"(W) x 1.11"(H)
Maximum Board Thickness	0.12"
Material	PP
Ordering Information	
307500540	Translucent
307508040	Black
Packaging Information	
Carton Pack/MOQ	20000 pcs/ctn.
Carton Weight	21 lbs.

Product Dimensions



Die-cut Dimensions

