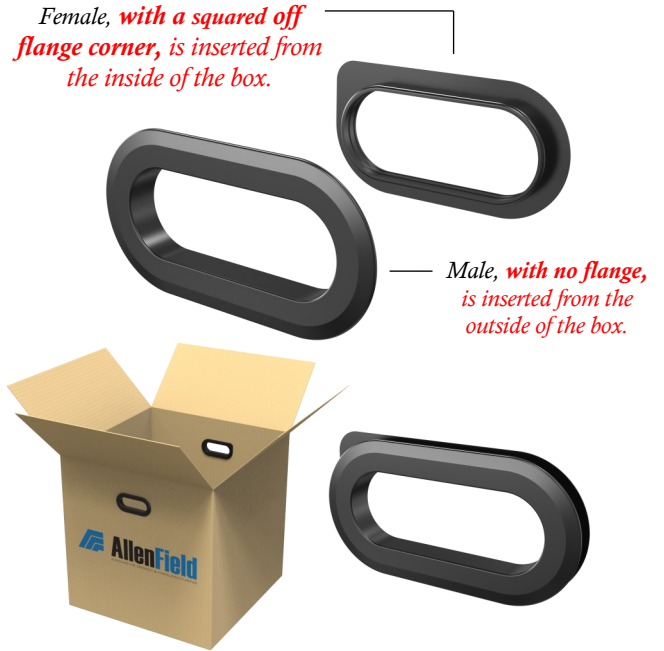


Part Number
PP906

Allen Field Company, Inc.

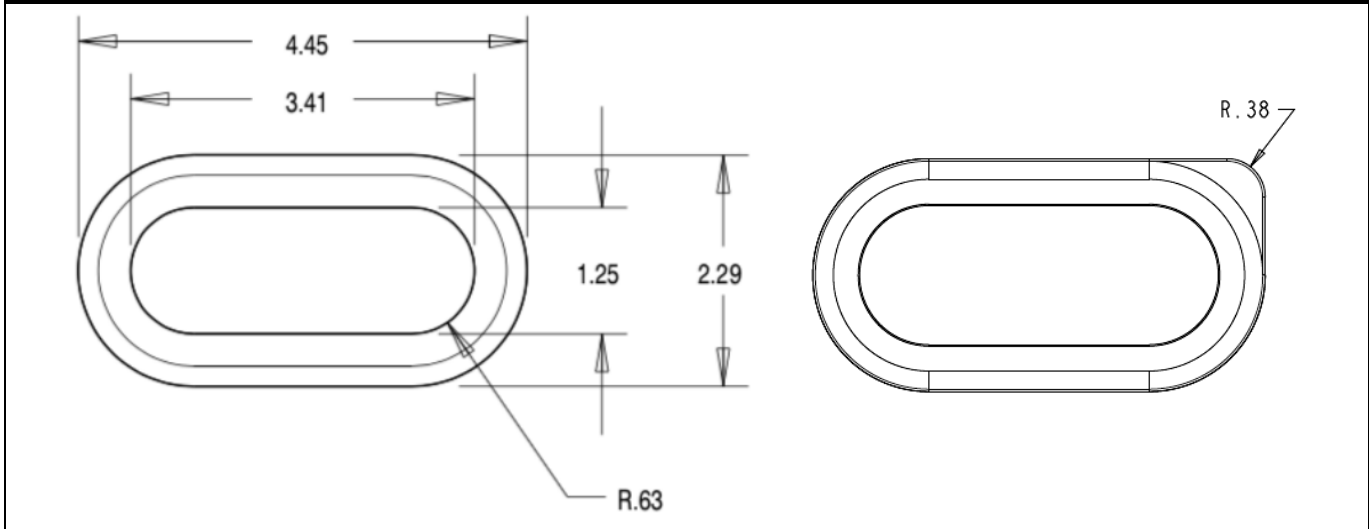
1450 Bridgewater Rd.
Bensalem, PA 19020
(800) 535-0810
www.allenfield.com

Product Images



Product Description	
Item Name	Two-Part Ellipse Hand Hole
Size	4.45"(W) x 2.29"(W)
Maximum Board Thickness	.32"
Material	PP
Ordering Information	
PP906-05	Translucent
PP906-10	White
PP906-80	Black
Packaging Information	
Carton Pack/MOQ	500 sets/ctn. (1000 pcs.)
Carton Weight	22 lbs.

Product Dimensions



Die-Cut Dimensions (Type 3)

