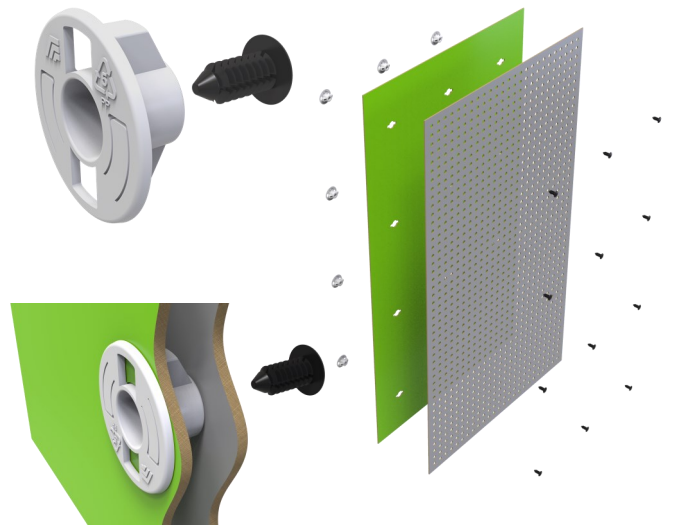


Part Number
PBC-100-80

Allen Field Company, Inc.

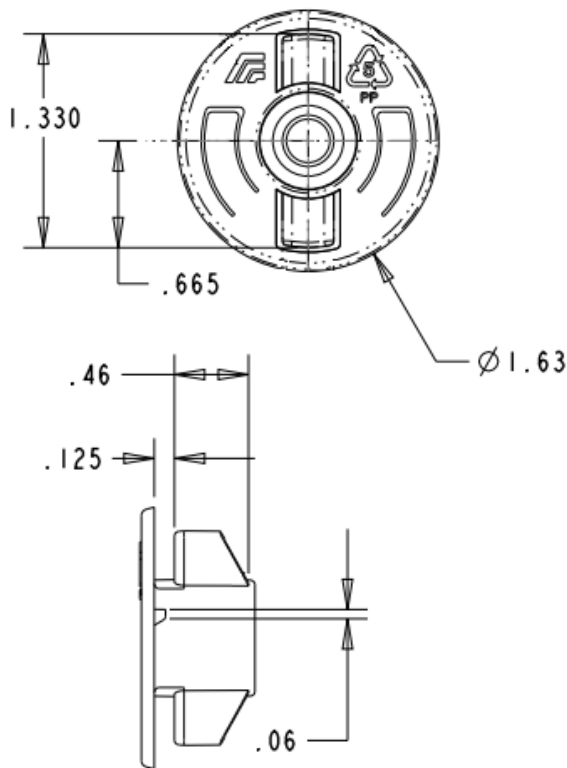
256A Orinoco Drive
 Brightwaters NY 11718
 (800) 535-0810
 www.allenfield.com

Product Image



Product Description	
Item Name	Pegboard Fastening Clip
Size	1.63" Dia.
Board Thicknesses	0.125" Max.
Material	PP
Ordering Information	
PBC-100-80	Black
Packaging Information	
Carton Quantity/MOQ	3000/ctn.
Carton Weight	25 lbs.

Product Dimensions



Die-Cut

