

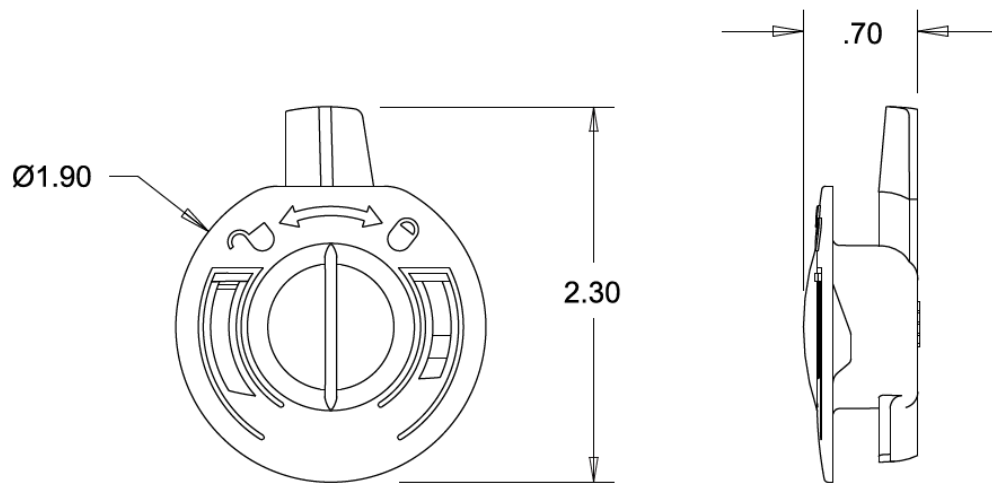
Part Number
BC125

**Product Image**



Product Description	
Item Name	BC125 Mini Rotary Connecting Clip
Size	1.90"(W) x 2.30"(H)
Board Thickness	0.31" Max. and 0.25" Min.
Material	PP
Ordering Information	
BC125-05	Translucent
Packaging Information	
Carton Pack/MOQ	1000 pcs.
Carton Weight	14 lbs.

**Product Dimensions**



**Die-Cut Dimensions (Type 2)**

