

Part Number
CA600-300-80

www.allenfield.com
 (800) 535-0810
 info@allenfield.com

Product Description	
Item Name	Display Caster Bracket Base
Size	3.28"(W) x 4.32"(L) x 1.00"(H)
Board Thicknesses	.30"
Material	PP
Ordering Information	
CA600-300-80	Black (Bracket Base Only)
Packaging Information	
Carton Quantity/MOQ	250
Carton Weight	28 lbs.

Product Image

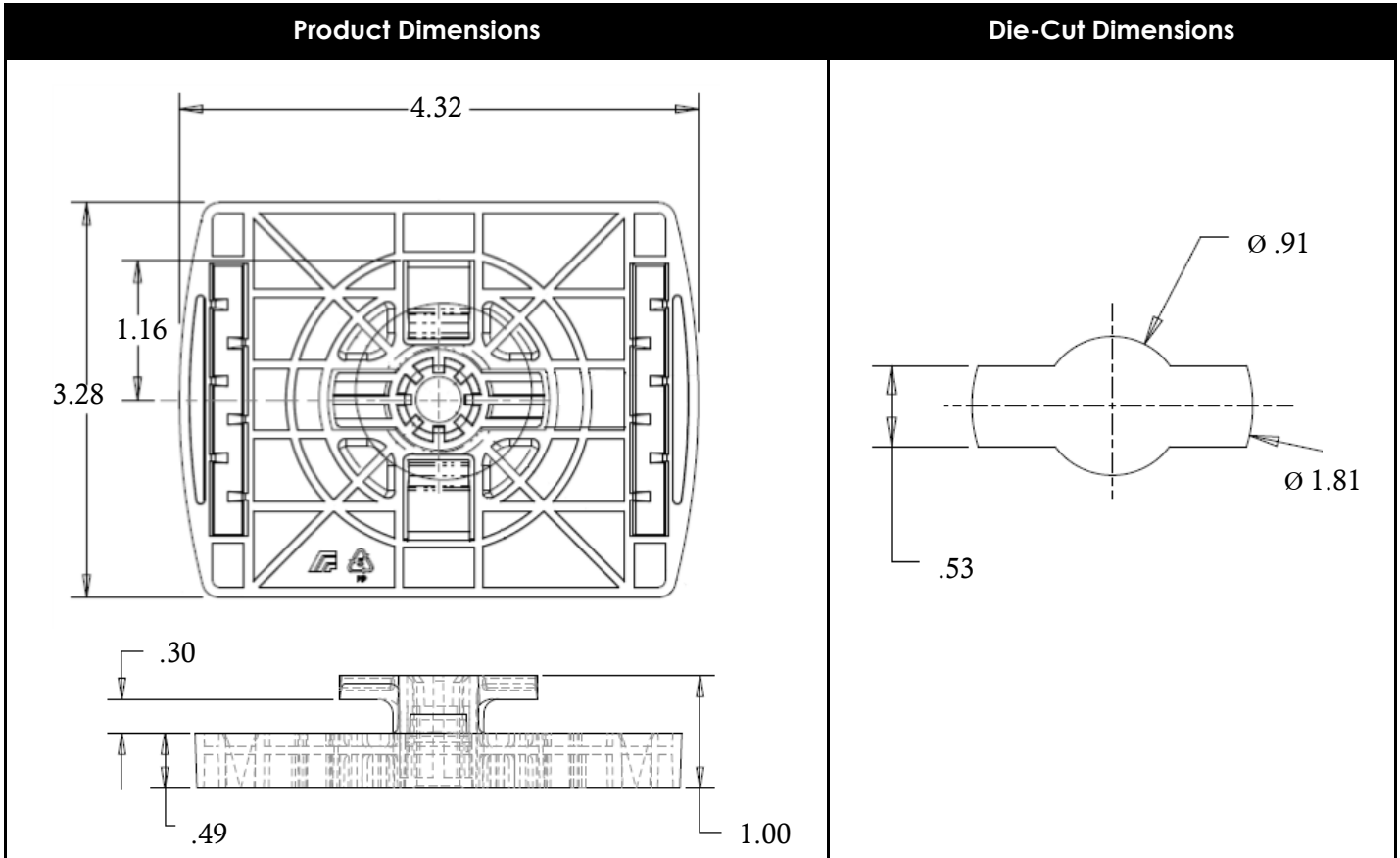
CA600-300-80



* **Display Caster Wheel** PN: CA600-350-80 is sold separately. Contact your sales rep for information.

* **Patent Protected**

For more information visit <https://www.allenfield.com/patents/>



Part Tolerance — +/- .03 inches (.75mm)

Dimensions are in inches